



power contactor, AC-3e/AC-3, 95 A, 45 kW / 400 V, 3-pole, 175-280 V AC/DC, 50/60 Hz, with integrated varistor, auxiliary contacts: 1 NC, main circuit: screw terminal, control and auxiliary circuit: spring-loaded terminal, size: S3, F-PLC-IN

<b>product brand name</b>	SIRIUS
<b>product designation</b>	Power contactor
<b>product type designation</b>	3RT2
<b>General technical data</b>	
<b>size of contactor</b>	S3
<b>product extension</b>	
• function module for communication	No
• auxiliary switch	Yes
<b>power loss [W] for rated value of the current</b>	
• at AC in hot operating state	19.8 W
• at AC in hot operating state per pole	6.6 W
• without load current share typical	3.1 W
<b>type of calculation of power loss depending on pole</b>	quadratic
<b>insulation voltage</b>	
• of main circuit with degree of pollution 3 rated value	1 000 V
• of auxiliary circuit with degree of pollution 3 rated value	690 V
<b>surge voltage resistance</b>	
• of main circuit rated value	8 kV
• of auxiliary circuit rated value	6 kV
maximum permissible voltage for protective separation between coil and main contacts according to EN 60947-1	690 V
<b>shock resistance at rectangular impulse</b>	
• at AC	10.3g / 5 ms, 6. g / 10 ms
• at DC	6.7 g / 5 ms, 4g / 10 ms
<b>shock resistance with sine pulse</b>	
• at AC	16.3g / 5 ms, 10.g / 10 ms
• at DC	10.6 g / 5 ms, 6.3 g / 10 ms
<b>mechanical service life (operating cycles)</b>	
• of contactor typical	5 000 000
• of the contactor with added electronically optimized auxiliary switch block typical	5 000 000
• of the contactor with added auxiliary switch block typical	5 000 000
<b>reference code according to IEC 81346-2</b>	Q
<b>Substance Prohibitance (Date)</b>	
<b>SVHC substance name</b>	Lead - 7439-92-1 Lead monoxide (lead oxide) - 1317-36-8 2-methyl-1-(4-methylthiophenyl)-2-morpholinopropan-1-one - 71868-10-5
<b>Weight</b>	1.836 kg
<b>Ambient conditions</b>	
installation altitude at height above sea level maximum	2 000 m
<b>ambient temperature</b>	

<ul style="list-style-type: none"> <li>• during operation</li> </ul>	-25 ... +60 °C
<ul style="list-style-type: none"> <li>• during storage</li> </ul>	-55 ... +80 °C
<b>relative humidity minimum</b>	10 %
<b>relative humidity at 55 °C according to IEC 60068-2-30 maximum</b>	95 %
<b>Main circuit</b>	
<b>number of poles for main current circuit</b>	3
<b>number of NO contacts for main contacts</b>	3
<b>operating voltage</b>	
<ul style="list-style-type: none"> <li>• at AC-3 rated value maximum</li> </ul>	1 000 V
<ul style="list-style-type: none"> <li>• at AC-3e rated value maximum</li> </ul>	1 000 V
<b>operational current</b>	
<ul style="list-style-type: none"> <li>• at AC-1 at 400 V at ambient temperature 40 °C rated value</li> </ul>	130 A
<ul style="list-style-type: none"> <li>• at AC-1 <ul style="list-style-type: none"> <li>— up to 690 V at ambient temperature 40 °C rated value</li> </ul> </li> </ul>	130 A
<ul style="list-style-type: none"> <li>— up to 690 V at ambient temperature 60 °C rated value</li> </ul>	110 A
<ul style="list-style-type: none"> <li>• at AC-3 <ul style="list-style-type: none"> <li>— at 400 V rated value</li> <li>— at 500 V rated value</li> <li>— at 690 V rated value</li> <li>— at 1000 V rated value</li> </ul> </li> </ul>	95 A 95 A 78 A 30 A
<ul style="list-style-type: none"> <li>• at AC-3e <ul style="list-style-type: none"> <li>— at 400 V rated value</li> <li>— at 500 V rated value</li> <li>— at 690 V rated value</li> <li>— at 1000 V rated value</li> </ul> </li> </ul>	95 A 95 A 78 A 30 A
<ul style="list-style-type: none"> <li>• at AC-4 at 400 V rated value</li> </ul>	80 A
<ul style="list-style-type: none"> <li>• at AC-5a up to 690 V rated value</li> </ul>	114 A
<ul style="list-style-type: none"> <li>• at AC-5b up to 400 V rated value</li> </ul>	95 A
<ul style="list-style-type: none"> <li>• at AC-6a <ul style="list-style-type: none"> <li>— up to 230 V for current peak value n=20 rated value</li> <li>— up to 400 V for current peak value n=20 rated value</li> <li>— up to 500 V for current peak value n=20 rated value</li> <li>— up to 690 V for current peak value n=20 rated value</li> </ul> </li> </ul>	84.4 A 84.4 A 84.4 A 58 A
<ul style="list-style-type: none"> <li>• at AC-6a <ul style="list-style-type: none"> <li>— up to 230 V for current peak value n=30 rated value</li> <li>— up to 400 V for current peak value n=30 rated value</li> <li>— up to 500 V for current peak value n=30 rated value</li> <li>— up to 690 V for current peak value n=30 rated value</li> </ul> </li> </ul>	56.3 A 56.3 A 56.3 A 56.3 A
minimum cross-section in main circuit at maximum AC-1 rated value	50 mm <sup>2</sup>
<b>operational current for approx. 200000 operating cycles at AC-4</b>	
<ul style="list-style-type: none"> <li>• at 400 V rated value</li> </ul>	42 A
<ul style="list-style-type: none"> <li>• at 690 V rated value</li> </ul>	30 A
<b>operational current</b>	
<ul style="list-style-type: none"> <li>• at 1 current path at DC-1 <ul style="list-style-type: none"> <li>— at 24 V rated value</li> <li>— at 60 V rated value</li> <li>— at 110 V rated value</li> <li>— at 220 V rated value</li> <li>— at 440 V rated value</li> <li>— at 600 V rated value</li> </ul> </li> </ul>	100 A 60 A 9 A 2 A 0.6 A 0.4 A
<ul style="list-style-type: none"> <li>• with 2 current paths in series at DC-1 <ul style="list-style-type: none"> <li>— at 24 V rated value</li> <li>— at 60 V rated value</li> <li>— at 110 V rated value</li> <li>— at 220 V rated value</li> <li>— at 440 V rated value</li> </ul> </li> </ul>	100 A 100 A 100 A 10 A 1.8 A

— at 600 V rated value	1 A
● <b>with 3 current paths in series at DC-1</b>	
— at 24 V rated value	100 A
— at 60 V rated value	100 A
— at 110 V rated value	100 A
— at 220 V rated value	80 A
— at 440 V rated value	4.5 A
— at 600 V rated value	2.6 A
● <b>at 1 current path at DC-3 at DC-5</b>	
— at 24 V rated value	40 A
— at 60 V rated value	6 A
— at 110 V rated value	2.5 A
— at 220 V rated value	1 A
— at 440 V rated value	0.15 A
— at 600 V rated value	0.06 A
● <b>with 2 current paths in series at DC-3 at DC-5</b>	
— at 24 V rated value	100 A
— at 60 V rated value	100 A
— at 110 V rated value	100 A
— at 220 V rated value	7 A
— at 440 V rated value	0.42 A
— at 600 V rated value	0.16 A
● <b>with 3 current paths in series at DC-3 at DC-5</b>	
— at 24 V rated value	100 A
— at 60 V rated value	100 A
— at 110 V rated value	100 A
— at 220 V rated value	35 A
— at 440 V rated value	0.8 A
— at 600 V rated value	0.35 A
<b>operating power</b>	
● at AC-2 at 400 V rated value	45 kW
● at AC-3	
— at 230 V rated value	22 kW
— at 400 V rated value	45 kW
— at 500 V rated value	55 kW
— at 690 V rated value	75 kW
— at 1000 V rated value	37 kW
● at AC-3e	
— at 230 V rated value	22 kW
— at 400 V rated value	45 kW
— at 500 V rated value	55 kW
— at 690 V rated value	75 kW
— at 1000 V rated value	37 kW
<b>operating power for approx. 200000 operating cycles at AC-4</b>	
● at 400 V rated value	22 kW
● at 690 V rated value	27.4 kW
<b>operating apparent power at AC-6a</b>	
● up to 400 V for current peak value n=20 rated value	58 000 VA
● up to 500 V for current peak value n=20 rated value	73 000 VA
● up to 690 V for current peak value n=20 rated value	69 000 VA
<b>operating apparent power at AC-6a</b>	
● up to 230 V for current peak value n=30 rated value	22 400 VA
● up to 400 V for current peak value n=30 rated value	39 000 VA
● up to 500 V for current peak value n=30 rated value	48 700 VA
● up to 690 V for current peak value n=30 rated value	67 300 VA
<b>short-time withstand current in cold operating state up to 40 °C</b>	
● limited to 1 s switching at zero current maximum	1 725 A; Use minimum cross-section acc. to AC-1 rated value
● limited to 5 s switching at zero current maximum	1 297 A; Use minimum cross-section acc. to AC-1 rated value
● limited to 10 s switching at zero current maximum	946 A; Use minimum cross-section acc. to AC-1 rated value

<ul style="list-style-type: none"> <li>• limited to 30 s switching at zero current maximum</li> <li>• limited to 60 s switching at zero current maximum</li> </ul>	610 A; Use minimum cross-section acc. to AC-1 rated value 486 A; Use minimum cross-section acc. to AC-1 rated value
<b>no-load switching frequency</b>	
<ul style="list-style-type: none"> <li>• at AC</li> <li>• at DC</li> </ul>	1 000 1/h 1 000 1/h
<b>operating frequency</b>	
<ul style="list-style-type: none"> <li>• at AC-1 maximum</li> <li>• at AC-2 maximum</li> <li>• at AC-3 maximum</li> <li>• at AC-3e maximum</li> <li>• at AC-4 maximum</li> </ul>	900 1/h 350 1/h 850 1/h 850 1/h 250 1/h
<b>Control circuit/ Control</b>	
<b>type of voltage of the control supply voltage</b>	AC/DC
<b>control supply voltage at AC</b>	
<ul style="list-style-type: none"> <li>• at 50 Hz rated value</li> <li>• at 60 Hz rated value</li> </ul>	175 ... 280 V 175 ... 280 V
<b>control supply voltage at DC rated value</b>	175 ... 280 V
<b>operating range factor control supply voltage rated value of magnet coil at DC</b>	
<ul style="list-style-type: none"> <li>• initial value</li> <li>• full-scale value</li> </ul>	0.8 1.1
<b>operating range factor control supply voltage rated value of magnet coil at AC</b>	
<ul style="list-style-type: none"> <li>• at 50 Hz</li> <li>• at 60 Hz</li> </ul>	0.8 ... 1.1 0.8 ... 1.1
<b>type of PLC-control input according to IEC 60947-1</b>	Type 1
<b>consumed current at PLC-control input according to IEC 60947-1 maximum</b>	11 mA
<b>voltage at PLC-control input rated value</b>	24 V
<b>operating range factor of the voltage at PLC-control input</b>	0.8 ... 1.1
<b>design of the surge suppressor</b>	with varistor
<b>inrush current peak</b>	43 A
<b>duration of inrush current peak</b>	10 µs
<b>locked-rotor current mean value</b>	0.5 A
<b>locked-rotor current peak</b>	1.2 A
<b>duration of locked-rotor current</b>	150 ms
<b>holding current mean value</b>	0.01 A
<b>apparent pick-up power of magnet coil at AC</b>	
<ul style="list-style-type: none"> <li>• at 50 Hz</li> <li>• at 60 Hz</li> </ul>	163 VA 163 VA
<b>apparent holding power</b>	
<ul style="list-style-type: none"> <li>• at minimum rated control supply voltage at DC</li> <li>• at maximum rated control supply voltage at DC</li> </ul>	1.8 VA 1.8 VA
<b>apparent holding power</b>	
<ul style="list-style-type: none"> <li>• at minimum rated control supply voltage at AC <ul style="list-style-type: none"> <li>— at 50 Hz</li> <li>— at 60 Hz</li> </ul> </li> <li>• at maximum rated control supply voltage at AC <ul style="list-style-type: none"> <li>— at 50 Hz</li> <li>— at 60 Hz</li> </ul> </li> </ul>	2.4 VA 2.4 VA 2.4 VA 2.4 VA
<b>apparent holding power of magnet coil at AC</b>	
<ul style="list-style-type: none"> <li>• at 50 Hz</li> <li>• at 60 Hz</li> </ul>	2.4 VA 2.4 VA
<b>inductive power factor with the holding power of the coil</b>	
<ul style="list-style-type: none"> <li>• at 50 Hz</li> <li>• at 60 Hz</li> </ul>	0.95 0.95
<b>closing power of magnet coil at DC</b>	130 W
<b>holding power of magnet coil at DC</b>	1.8 W
<b>closing delay</b>	
<ul style="list-style-type: none"> <li>• at AC</li> <li>• at DC</li> </ul>	50 ... 70 ms 50 ... 70 ms
<b>opening delay</b>	

<ul style="list-style-type: none"> <li>• at AC</li> </ul>	38 ... 57 ms
<ul style="list-style-type: none"> <li>• at DC</li> </ul>	38 ... 57 ms
<b>recovery time after power failure typical</b>	2.1 s
<b>arcing time</b>	10 ... 20 ms
<b>control version of the switch operating mechanism</b>	Fail-safe PLC input (F-PLC-IN)
<b>Auxiliary circuit</b>	
number of NC contacts for auxiliary contacts instantaneous contact	1
number of NO contacts for auxiliary contacts instantaneous contact	0
operational current at AC-12 maximum	10 A
<b>operational current at AC-15</b>	
<ul style="list-style-type: none"> <li>• at 230 V rated value</li> </ul>	6 A
<ul style="list-style-type: none"> <li>• at 400 V rated value</li> </ul>	3 A
<ul style="list-style-type: none"> <li>• at 500 V rated value</li> </ul>	2 A
<ul style="list-style-type: none"> <li>• at 690 V rated value</li> </ul>	1 A
<b>operational current at DC-12</b>	
<ul style="list-style-type: none"> <li>• at 24 V rated value</li> </ul>	10 A
<ul style="list-style-type: none"> <li>• at 48 V rated value</li> </ul>	6 A
<ul style="list-style-type: none"> <li>• at 60 V rated value</li> </ul>	6 A
<ul style="list-style-type: none"> <li>• at 110 V rated value</li> </ul>	3 A
<ul style="list-style-type: none"> <li>• at 125 V rated value</li> </ul>	2 A
<ul style="list-style-type: none"> <li>• at 220 V rated value</li> </ul>	1 A
<ul style="list-style-type: none"> <li>• at 600 V rated value</li> </ul>	0.15 A
<b>operational current at DC-13</b>	
<ul style="list-style-type: none"> <li>• at 24 V rated value</li> </ul>	10 A
<ul style="list-style-type: none"> <li>• at 48 V rated value</li> </ul>	2 A
<ul style="list-style-type: none"> <li>• at 60 V rated value</li> </ul>	2 A
<ul style="list-style-type: none"> <li>• at 110 V rated value</li> </ul>	1 A
<ul style="list-style-type: none"> <li>• at 125 V rated value</li> </ul>	0.9 A
<ul style="list-style-type: none"> <li>• at 220 V rated value</li> </ul>	0.3 A
<ul style="list-style-type: none"> <li>• at 600 V rated value</li> </ul>	0.1 A
<b>contact reliability of auxiliary contacts</b>	1 faulty switching per 100 million (17 V, 1 mA)
<b>UL/CSA ratings</b>	
<b>full-load current (FLA) for 3-phase AC motor</b>	
<ul style="list-style-type: none"> <li>• at 480 V rated value</li> </ul>	96 A
<ul style="list-style-type: none"> <li>• at 600 V rated value</li> </ul>	77 A
<b>yielded mechanical performance [hp]</b>	
<ul style="list-style-type: none"> <li>• for single-phase AC motor <ul style="list-style-type: none"> <li>— at 110/120 V rated value</li> <li>— at 230 V rated value</li> </ul> </li> </ul>	10 hp 20 hp
<ul style="list-style-type: none"> <li>• for 3-phase AC motor <ul style="list-style-type: none"> <li>— at 200/208 V rated value</li> <li>— at 220/230 V rated value</li> <li>— at 460/480 V rated value</li> <li>— at 575/600 V rated value</li> </ul> </li> </ul>	30 hp 30 hp 75 hp 75 hp
<b>contact rating of auxiliary contacts according to UL</b>	A600 / P600
<b>Short-circuit protection</b>	
<b>design of the fuse link</b>	
<ul style="list-style-type: none"> <li>• for short-circuit protection of the main circuit <ul style="list-style-type: none"> <li>— with type of coordination 1 required</li> <li>— with type of assignment 2 required</li> </ul> </li> </ul>	gG: 250 A (690 V, 100 kA), aM: 160 A (690 V, 100 kA), BS88: 200 A (415 V, 80 kA) gG: 160 A (690 V, 100 kA), aM: 100 A (690 V, 100 kA), BS88: 125 A (415 V, 80 kA)
<ul style="list-style-type: none"> <li>• for short-circuit protection of the auxiliary switch required</li> </ul>	gG: 10 A (500 V, 1 kA)
<b>Installation/ mounting/ dimensions</b>	
<b>mounting position</b>	+/-180° rotation possible on vertical mounting surface; can be tilted forward and backward by +/- 22.5° on vertical mounting surface
<b>fastening method</b>	screw and snap-on mounting onto 35 mm DIN rail according to DIN EN 60715
<b>height</b>	140 mm
<b>width</b>	70 mm
<b>depth</b>	152 mm

<b>required spacing</b>	
<ul style="list-style-type: none"> <li>● with side-by-side mounting <ul style="list-style-type: none"> <li>— forwards 20 mm</li> <li>— upwards 10 mm</li> <li>— downwards 10 mm</li> <li>— at the side 0 mm</li> </ul> </li> <li>● for grounded parts <ul style="list-style-type: none"> <li>— forwards 20 mm</li> <li>— upwards 10 mm</li> <li>— at the side 10 mm</li> <li>— downwards 10 mm</li> </ul> </li> <li>● for live parts <ul style="list-style-type: none"> <li>— forwards 20 mm</li> <li>— upwards 10 mm</li> <li>— downwards 10 mm</li> <li>— at the side 10 mm</li> </ul> </li> </ul>	

### Connections/ Terminals

<b>type of electrical connection</b>	
<ul style="list-style-type: none"> <li>● for main current circuit screw-type terminals</li> <li>● for auxiliary and control circuit spring-loaded terminals</li> <li>● at contactor for auxiliary contacts Spring-type terminals</li> <li>● of magnet coil Spring-type terminals</li> </ul>	
<b>type of connectable conductor cross-sections</b>	
<ul style="list-style-type: none"> <li>● for main contacts <ul style="list-style-type: none"> <li>— finely stranded with core end processing 2x (2.5 ... 35 mm<sup>2</sup>), 1x (2.5 ... 50 mm<sup>2</sup>)</li> </ul> </li> <li>● for AWG cables for main contacts 2x (10 ... 1/0), 1x (10 ... 2)</li> </ul>	
<b>connectable conductor cross-section for main contacts</b>	
<ul style="list-style-type: none"> <li>● solid 2.5 ... 16 mm<sup>2</sup></li> <li>● stranded 6 ... 70 mm<sup>2</sup></li> <li>● finely stranded with core end processing 2.5 ... 50 mm<sup>2</sup></li> </ul>	
<b>connectable conductor cross-section for auxiliary contacts</b>	
<ul style="list-style-type: none"> <li>● solid or stranded 0.5 ... 2.5 mm<sup>2</sup></li> <li>● finely stranded with core end processing 0.5 ... 2.5 mm<sup>2</sup></li> <li>● finely stranded without core end processing 0.5 ... 2.5 mm<sup>2</sup></li> </ul>	
<b>type of connectable conductor cross-sections</b>	
<ul style="list-style-type: none"> <li>● for auxiliary contacts <ul style="list-style-type: none"> <li>— solid or stranded 2x (0.5 ... 2.5 mm<sup>2</sup>)</li> <li>— finely stranded with core end processing 2x (0.5 ... 1.5 mm<sup>2</sup>)</li> <li>— finely stranded without core end processing 2x (0.5 ... 2.5 mm<sup>2</sup>)</li> </ul> </li> <li>● for AWG cables for auxiliary contacts 2x (20 ... 16)</li> </ul>	
<b>AWG number as coded connectable conductor cross section</b>	
<ul style="list-style-type: none"> <li>● for main contacts 10 ... 2</li> <li>● for auxiliary contacts 20 ... 14</li> </ul>	

### Safety related data

<b>product function</b>	
<ul style="list-style-type: none"> <li>● mirror contact according to IEC 60947-4-1 Yes</li> <li>● positively driven operation according to IEC 60947-5-1 No</li> <li>● suitable for safety function Yes</li> </ul>	
suitability for use safety-related switching OFF	Yes
<b>safe state</b>	off
<b>test wear-related service life necessary</b>	Yes
<b>diagnostics test interval by internal test function maximum</b>	28 800 s
<b>stop category according to IEC 60204-1</b>	0
<b>proportion of dangerous failures</b>	
<ul style="list-style-type: none"> <li>● with low demand rate according to SN 31920 40 %</li> <li>● with high demand rate according to SN 31920 73 %</li> </ul>	
<b>B10 value with high demand rate according to SN 31920</b>	1 000 000
<b>failure rate [FIT] with low demand rate according to SN 31920</b>	100 FIT
<b>MTBF</b>	52 a

IEC 62061	
PFHD with high demand rate according to IEC 62061	7.7E-8 1/h
ISO 13849	
performance level (PL) according to ISO 13849-1	c
overdimensioning according to ISO 13849-2 necessary	Yes
IEC 61508	
Safety Integrity Level (SIL) according to IEC 61508	2
safety device type according to IEC 61508-2	Type B
PFHD with high demand rate according to IEC 61508	7.7E-8 1/h
PFDavg with low demand rate according to IEC 61508	0.0067
Safe failure fraction (SFF)	96 %
hardware fault tolerance according to IEC 61508	0
T1 value of service life according to IEC 61508	20 a
Electrical Safety	
protection class IP on the front according to IEC 60529	IP20
touch protection on the front according to IEC 60529	finger-safe, for vertical contact from the front

#### Approvals Certificates

##### General Product Approval



EG-Konf.



CCC

[Confirmation](#)



UL

[KC](#)

General Product Approval	EMV	Functional Safety	Test Certificates	Marine / Shipping
--------------------------	-----	-------------------	-------------------	-------------------



RCM

[Type Examination Certificate](#)

[Type Test Certificates/Test Report](#)

[Special Test Certificate](#)



ABS

Marine / Shipping	other	Railway	Environment
-------------------	-------	---------	-------------



RINA



RMRS

[Confirmation](#)

[Special Test Certificate](#)

[Environmental Confirmations](#)

#### Further information

##### Information on the packaging

<https://support.industry.siemens.com/cs/ww/en/view/109813875>

##### Information- and Downloadcenter (Catalogs, Brochures,...)

<https://www.siemens.com/ic10>

##### Industry Mall (Online ordering system)

<https://mall.industry.siemens.com/mall/en/en/Catalog/product?mlfb=3RT2046-3SP30>

##### Cax online generator

<http://support.automation.siemens.com/WW/CAXorder/default.aspx?lang=en&mlfb=3RT2046-3SP30>

##### Service&Support (Manuals, Certificates, Characteristics, FAQs,...)

<https://support.industry.siemens.com/cs/ww/en/ps/3RT2046-3SP30>

##### Image database (product images, 2D dimension drawings, 3D models, device circuit diagrams, EPLAN macros, ...)

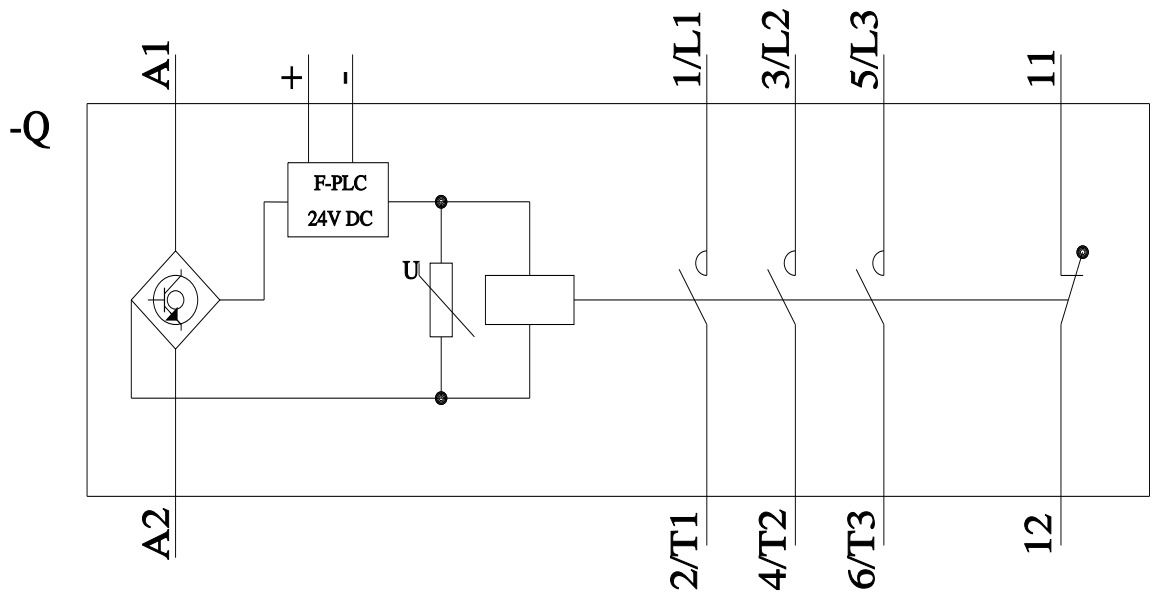
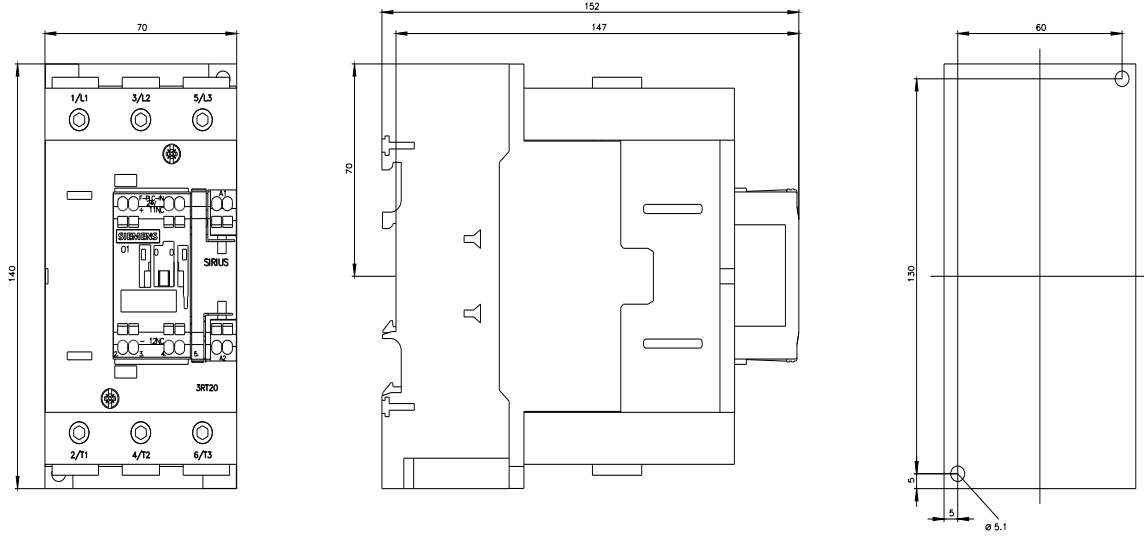
[http://www.automation.siemens.com/bilddb/cax\\_de.aspx?mlfb=3RT2046-3SP30&lang=en](http://www.automation.siemens.com/bilddb/cax_de.aspx?mlfb=3RT2046-3SP30&lang=en)

##### Characteristic: Tripping characteristics, I<sup>2</sup>t, Let-through current

<https://support.industry.siemens.com/cs/ww/en/ps/3RT2046-3SP30/char>

##### Further characteristics (e.g. electrical endurance, switching frequency)

<http://www.automation.siemens.com/bilddb/index.aspx?view=Search&mlfb=3RT2046-3SP30&objecttype=14&gridview=view1>



last modified:





