

STEP-PS/ 1AC/5DC/2

Power supply unit

Data sheet
105545_en_00

© PHOENIX CONTACT - 03/2013



1 Description

STEP POWER power supply units – for building automation

The new STEP POWER generation of compact power supply units is particularly suitable for installation distributors and flat control panels thanks to its design. The power supply units are available with 24 V DC output voltage in various performance classes and widths and with the special voltages 5, 12, 15 and 48 V DC. Their high degree of efficiency and the low standby losses make for high power efficiency.

Features

- Easy assembly on the DIN rail or panel
- Maximum energy efficiency thanks to low idling losses
- Quick startup with LED function monitoring
- High operating safety due to long mains buffering under full load and high MTBF (> 500,000 h)
- Can be used worldwide in all industrial sectors due to a wide-range input and an international approval package
- Wide temperature range of -25°C to +70°C
- Parallel connection possible for increased performance and redundancy
- Powerful in its particularly slim design (18 mm)



DANGER OF EXPLOSION!

Only remove equipment when it is disconnected and not in the potentially explosive area.



DANGER

The device contains dangerous live elements and high levels of stored energy. Never carry out work when the power is turned on.



Make sure you always use the latest documentation. It can be downloaded from the product at phoenixcontact.net/products.

2 Table of contents

| | | |
|----|--|----|
| 1 | Description | 1 |
| | Features..... | 1 |
| 2 | Table of contents..... | 2 |
| 3 | Ordering data | 3 |
| 4 | Technical data | 3 |
| 5 | Structure..... | 6 |
| 6 | Block diagram | 7 |
| 7 | Safety notes | 7 |
| 8 | Installation | 8 |
| 9 | Mounting position | 8 |
| 10 | Mounting on DIN rails | 9 |
| | Assembly | 9 |
| | Removing..... | 9 |
| 11 | Connection to various systems..... | 9 |
| 12 | Input | 10 |
| | Protection of the primary side..... | 10 |
| | Permissible backup fuse for mains protection | 10 |
| 13 | Output | 10 |
| | Protection of the secondary side | 10 |
| 14 | Signaling | 11 |
| 15 | Function | 11 |
| | Output characteristic curve | 11 |
| | Thermal behavior | 12 |
| | Parallel operation | 12 |
| | Redundant operation | 12 |
| | Increased performance | 13 |

3 Ordering data

| Description | Type | Order No. | Pcs. / Pkt. |
|--|--------------------|-----------|-------------|
| DIN rail power supply unit 5 V DC/2 A, primary-switched, single-phase. | STEP-PS/ 1AC/5DC/2 | 2320513 | 1 |

4 Technical data

| Input data | |
|--|--|
| Nominal input voltage range | 100 V AC ... 240 V AC |
| AC input voltage range | 85 V AC ... 264 V AC |
| DC input voltage range | 95 V DC ... 250 V DC |
| AC frequency range | 45 Hz ... 65 Hz |
| DC frequency range | 0 Hz |
| Current consumption | 0.2 A (120 V AC) 0.13 A (230 V AC) |
| Inrush current limitation | < 15 A |
| I^2t | < 0.1 A ² s |
| Power failure bypass | > 25 ms (120 V AC) > 110 ms (230 V AC) |
| Typical response time | < 0.5 s |
| Protective circuit | Transient surge protection Varistor |
| Input fuse, integrated | 1.25 A (slow-blow, internal) |
| Output data | |
| Nominal output voltage | 5 V DC \pm 1% |
| Output current | 2 A (-25 °C ... 40 °C permanent) 2.2 A (-25°C ... 55°C) 3.7 A (maximum output current) |
| Efficiency | > 81 % (for 230 V AC and nominal values) |
| Residual ripple | < 50 mV _{PP} |
| Connection in parallel | Yes, for redundancy and increased capacity |
| Connection in series | Yes |
| Protection against surge voltage on the output | < 10 V DC |
| Power consumption | |
| Maximum power dissipation NO-Load | < 0.4 W |
| Power loss nominal load max. | < 2.6 W |
| LED status indicator | |
| Status display | "DC OK" LED green / U _{OUT} > 4 V: LED is lit |

General data

| | |
|--|--|
| Insulation voltage input/output | 4 kV AC (type test) 3.75 kV AC (routine test) |
| Insulation voltage input / PE | 3.5 kV AC (type test) 2 kV AC (routine test) |
| Insulation voltage output / PE | 500 V DC (routine test) |
| Degree of protection | IP20 |
| Protection class | II (in an enclosed control cabinet) |
| MTBF (IEC 61709) | 500000 h |
| Housing material | polycarbonate |
| Foot latch material | Plastic POM |
| Dimensions W / H / D (state of delivery) | 18 mm / 90 mm / 61 mm |
| Weight | 0.1 kg |

Ambient conditions

| | |
|--|--|
| Ambient temperature (operation) | -25 °C ... 70 °C (> 55° C derating) |
| Ambient temperature (storage/transport) | -40 °C ... 85 °C |
| Max. permissible relative humidity (operation) | ≤ 95 % (at 25 °C, no condensation) |
| Vibration (operation) | < 15 Hz, amplitude ±2.5 mm (according to IEC 60068-2-6) 15 Hz ... 150 Hz, 2.3g, 90 min. |
| Shock | 30 g in each direction, according to IEC 60068-2-27 |
| Pollution degree in acc. with EN 50178 | 2 |
| Climatic class | 3K3 (in acc. with EN 60721) |

Standards

| | |
|--|--|
| Electrical Equipment for Machinery | EN 60204 / Surge voltage category III |
| Electrical safety (of information technology equipment) | IEC 60950-1/VDE 0805 (SELV) |
| Electronic equipment for use in electrical power installations | EN 50178/VDE 0160 (PELV) |
| SELV | IEC 60950-1 (SELV) and EN 60204 (PELV) |
| Safe isolation | DIN VDE 0100-410 DIN VDE 0106-1010 |
| Protection against electric shock | DIN 57100-410 |
| Protection against electric shock, basic requirements for safe isolation in electrical equipment | DIN VDE 0106-101 |
| Limitation of mains harmonic currents | EN 61000-3-2 |

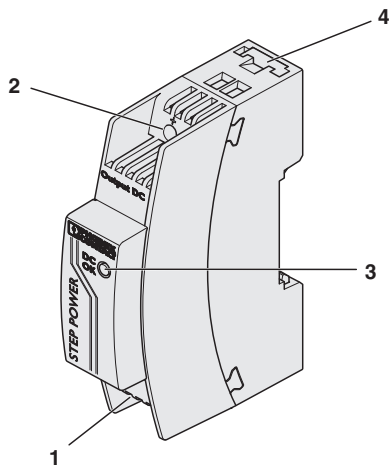
Approvals

| | |
|--------------|--|
| UL approvals | UL/C-UL listed UL 508 UL/C-UL Recognized UL 60950 NEC Class 2 as per UL 1310 |
|--------------|--|

Conformance with EMC Directive 2004/108/EC**Noise immunity according to EN 61000-6-2**

| | EN 61000-6-2 requirement | Tested |
|---|---|---|
| Electrostatic discharge EN 61000-4-2 | | |
| Housing contact discharge | 4 kV (Test intensity 2) | 6 kV (Test intensity 3) |
| Housing air discharge | 8 kV (Test intensity 3) | 8 kV (Test intensity 3) |
| Comments | Criterion B | Criterion B |
| Electromagnetic HF field EN 61000-4-3 | | |
| Frequency range | 80 MHz ... 1 GHz | 80 MHz ... 1 GHz |
| Test field strength | 10 V/m | 10 V/m |
| Frequency range | 1.4 GHz ... 2 GHz | 1 GHz ... 2 GHz |
| Test field strength | 3 V/m | 10 V/m |
| Frequency range | 2 GHz ... 2.7 GHz | 2 GHz ... 3 GHz |
| Test field strength | 1 V/m | 10 V/m |
| Comments | Criterion A | Criterion A |
| Fast transients (burst) EN 61000-4-4 | | |
| Input | 2 kV (Test intensity 3 - asymmetrical) | 4 kV (Test intensity 4 - asymmetrical) |
| Output | 2 kV (Test intensity 3 - asymmetrical) | 2 kV (Test intensity 3 - asymmetrical) |
| Comments | Criterion B | Criterion A |
| Surge current loads (surge) EN 61000-4-5 | | |
| Input | 1 kV (Test intensity 2 - symmetrical) 2 kV (Test intensity 3 - asymmetrical) | 2 kV (Test intensity 3 - symmetrical) 4 kV (Test intensity 4 - asymmetrical) |
| Output | 0.5 kV (Test intensity 1 - symmetrical) 0.5 kV (Test intensity 1 - asymmetrical) | 1 kV (Test intensity 2 - symmetrical) 0.5 kV (Test intensity 1 - asymmetrical) |
| Comments | Criterion B | Criterion A |
| Conducted interference EN 61000-4-6 | | |
| Frequency range | 10 kHz ... 80 MHz | 10 kHz ... 15 kHz 0.15 MHz ... 80 MHz |
| Voltage | 10 V (Test intensity 3) | 3 V (Test intensity 2) 10 V (Test intensity 3) |
| Comments | Criterion A | Criterion A |
| Emitted interference in acc. with EN 61000-6-3 | | |
| Radio interference voltage in acc. with EN 55011 | EN 55011 (EN 55022) class B used in industry and residential area / EMC 1 | |
| Emitted radio interference in acc. with EN 55011 | EN 55011 (EN 55022) class B used in industry and residential area / EMC 1 | |

5 Structure



- 1 AC input
- 2 DC output
- 3 "DC OK" LED, green
- 4 Universal snap-on foot for EN DIN rails and for wall mounting

| | [mm ²] | | AWG | [Nm] Torque |
|--------|--------------------|-----------|---------|----------------|
| | solid | stranded | | |
| Input | 0.2 - 2.5 | 0.2 - 2.5 | 24 - 12 | 0.6 - 0.8 |
| Output | 0.2 - 2.5 | 0.2 - 2.5 | 24 - 12 | 0.6 - 0.8 |

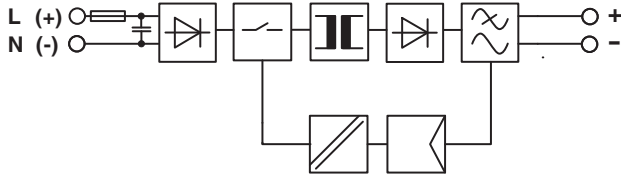
Input data

| | |
|-----------------------------|------------------------------|
| Nominal input voltage range | 100 V AC ... 240 V AC |
| AC input voltage range | 85 V AC ... 264 V AC |
| DC input voltage range | 95 V DC ... 250 V DC |
| AC frequency range | 45 Hz ... 65 Hz |
| DC frequency range | 0 Hz |
| Input fuse, integrated | 1.25 A (slow-blow, internal) |
| Connection method | Screw connection |
| Stripping length | 6.5 mm |

Output data

| | |
|------------------------|--|
| Nominal output voltage | 5 V DC \pm 1% |
| Output current | 2 A (-25 °C ... 40 °C permanent) 2.2 A (-25 °C ... 55 °C) 3.7 A (maximum output current) |
| Connection method | Screw connection |
| Stripping length | 6.5 mm |

6 Block diagram



7 Safety notes



DANGER OF EXPLOSION!

Only remove equipment when it is disconnected and not in the potentially explosive area.

DANGER

The device contains dangerous live elements and high levels of stored energy.
Never carry out work when the power is turned on.



WARNING:

Before startup please ensure:

The mains connection has been carried out by a competent person and protection against electric shock is guaranteed!

The device can be disconnected outside the power supply unit in accordance with the regulations as in EN 60950 (e.g. through primary side line protection)!

All feed lines are sufficiently protected and dimensioned!

All output lines are dimensioned according to the maximum output current of the device or separately protected!

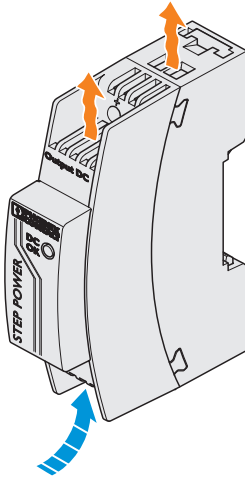
Sufficient convection must be guaranteed.



CAUTION:

The power supply units are built-in devices. The device may only be installed and put into operation by qualified personnel. The corresponding national regulations must be observed.

8 Installation



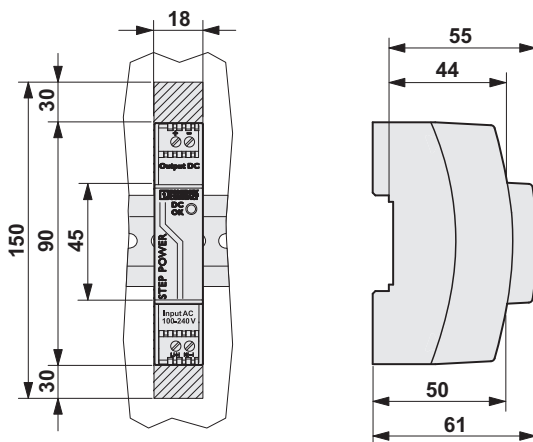
NOTE:

In order to ensure sufficient convection, we recommend a minimum vertical distance of 30 mm to the other devices.

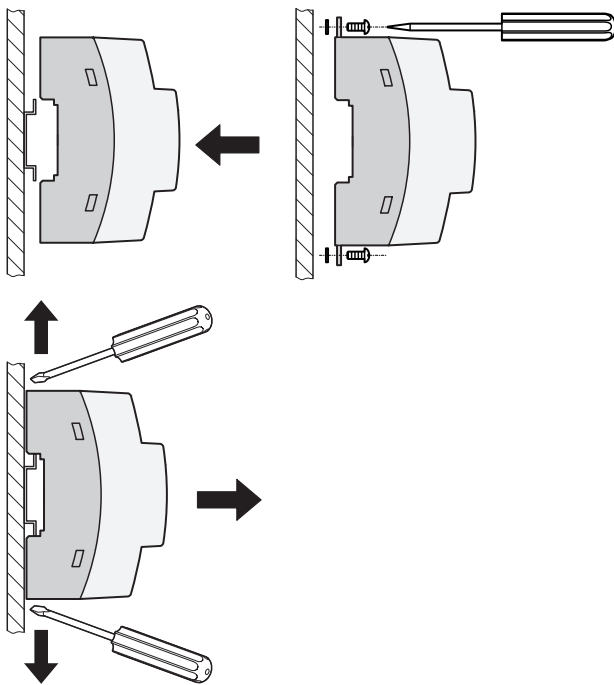


The power supply unit can be snapped onto all DIN rails as per EN 60715; it can also be mounted on walls. The device must be mounted vertically (connecting terminals above or below).

9 Mounting position



10 Mounting on DIN rails



Assembly

To mount on an EN DIN rail, snap the device straight onto the DIN rail.

If the power supply unit is to be fastened directly onto an even surface, press the orange base latch upward and down.

Place a washer between the pulled-out base latch and the even surface (max. outer diameter 8.5 mm, max. thickness 1.3 mm, e.g., spring washer for M4 in acc. with DIN 127-B or toothed lock washer in acc. with DIN 6797).

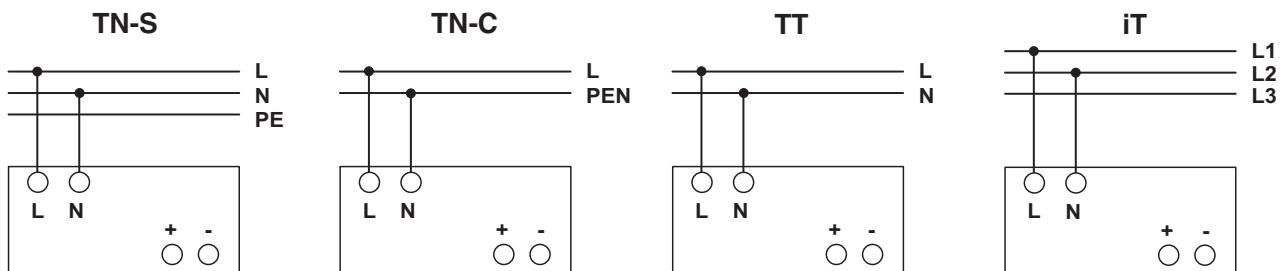
Then fasten the device with two screws (max. thread diameter 4 mm, max. head diameter 8.5 mm).

Removing

To dismantle from the EN DIN rail, press the orange base latch outward and pull the device off of the DIN rail.

In the case of wall mounting, loosen the screws and press the base latch inwards again.

11 Connection to various systems



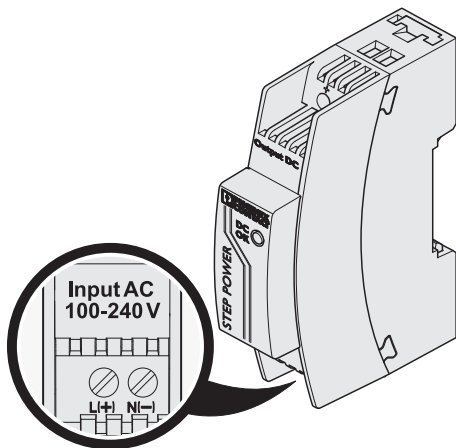
The 100 V AC ... 240 V AC connection is made using the L and N screw connections.

The device can be connected to 1-phase AC networks or to two of the phase conductors of three-phase systems (TN, TT or IT networks in acc. with VDE 0100-300/IEC 60364-3) with nominal voltages of 100 V AC ...240 V AC.



For operation on two of the phase conductors of a three-phase system, an isolating facility for all poles must be provided.

12 Input


CAUTION:

If an internal fuse is triggered, there is a device malfunction. In this case, the device must be inspected in the factory.

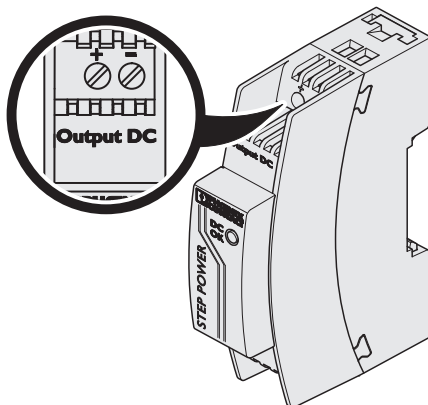
Protection of the primary side

The device must be installed in acc. with the regulations as in EN 60950. It must be possible to disconnect the device using a suitable isolating facility outside the power supply. The primary side line protection, for example, is suitable. For device protection, there is an internal fuse. Additional device protection is not necessary.

Permissible backup fuse for mains protection

Power circuit-breaker 6 A, 10 A or 16 A, characteristic B (or identical function). Connect a suitable fuse upstream for DC applications!

13 Output


CAUTION:

Make sure that all output lines are dimensioned according to the maximum output current or are separately protected. The cables on the secondary side must have sufficiently large cross sections in order to keep the voltage drops on the lines as low as possible.

The connection is established via the “+” and “-” screw connections on the screw connection of the DC output. The output voltage set on delivery is 5 V DC.

Protection of the secondary side

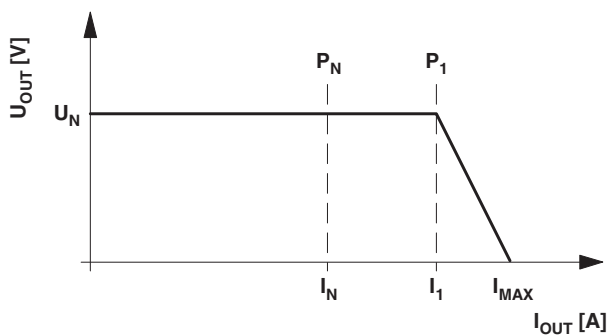
The device is electronically protected against short-circuit and idling. In the event of a malfunction, the output voltage is limited to 10 V DC.

14 Signaling

The "DC OK" LED enables evaluation of the function of the power supply directly on site.

| | State 1 | State 2 |
|-------------|--------------------------------------|--|
| "DC OK" LED | ON | OFF |
| Cause | Output voltage > 3.7 V | Output voltage < 3.7 V or no voltage at the output |
| Meaning | Output voltage and output current OK | The device is in operation, but there is a fault in the consumer, the current consumption is greater than I_1 or the output is short-circuited. The device is out of operation because there is no mains voltage, the fuse on the primary side has been triggered, or the device is faulty. |

15 Function



Output characteristic curve

The power supply works with a power reserve as shown in the U/I characteristic curve in the figure. At ambient temperatures $T_{AMB} < +40\text{ °C}$, I_1 is available continuously. At higher temperatures, it is available for a few minutes. In the event of a secondary-side short-circuit or overload, the output current is limited to I_{MAX} . Thereby, the module does not switch off, but rather supplies a continuous output current. The secondary voltage is reduced here until the short-circuit is eliminated. The U/I characteristic curve with the power reserve ensures that both high inrush currents of capacitive loads as well as loads with DC/DC converters in the primary circuit can be supplied.

$$U_N = 5\text{ V}$$

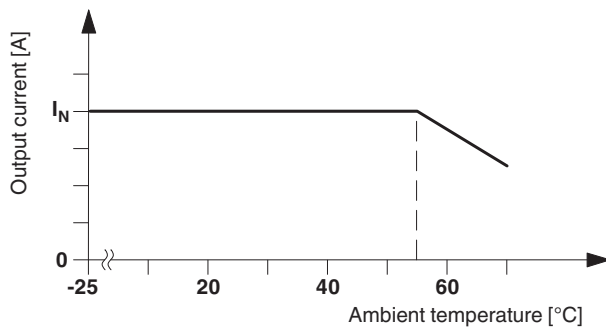
$$I_N = 2\text{ A}$$

$$P_N = 10\text{ W}$$

$$I_1 = 2.2\text{ A}$$

$$P_1 = 11\text{ W}$$

$$I_{MAX} = 3.7\text{ A (} U_{OUT} = 0\text{ V)}$$

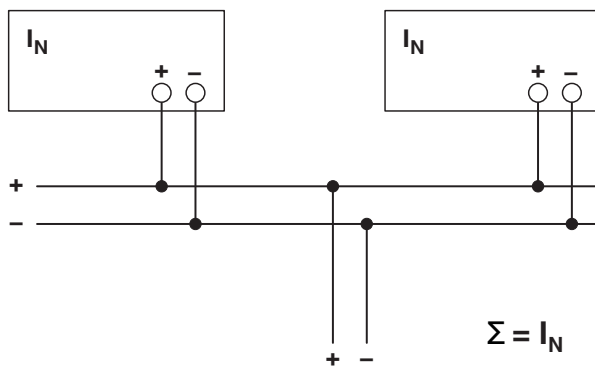


Thermal behavior

With an ambient temperature of up to +55°C, the device supplies the continuous output current of I_N . In the case of ambient temperatures above +55°C, the output current must be reduced by 2.5% per Kelvin increase in temperature. The device does not switch off at ambient temperatures of +70°C or thermal overload. The output capacity is reduced as far as necessary to provide device protection. After it has cooled down, the output capacity is increased again.

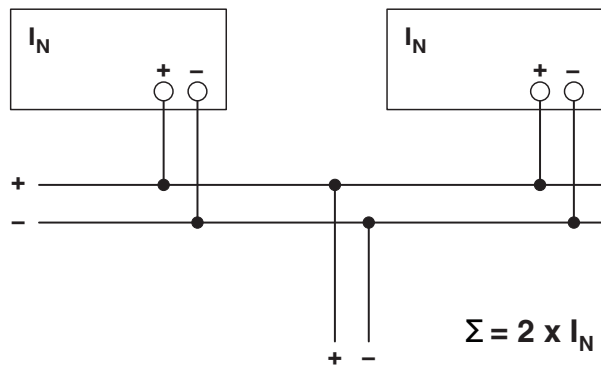
Parallel operation

Devices of the same type can be connected in parallel to increase both redundancy and power. By default upon delivery, no further adjustments are required. If the output voltage is adjusted, a uniform distribution of power is guaranteed by setting all parallel operated power supply units to exactly the same output voltage. To ensure symmetrical current distribution we recommend that all cable connections from the power supply unit to the busbar are the same length and have the same cross section. Depending on the system, for parallel connection of more than two power supplies a protective circuit should be installed at each individual device output (e.g., decoupling diode, DC fuse or circuit breaker). This prevents high return currents in the event of a secondary device fault.



Redundant operation

Redundant circuits are suitable for the supply of systems which make especially high requirements on the operational safety. If a fault occurs in the primary circuit of the first power supply unit, the second device automatically takes over the entire power supply, without interruption, and vice versa. For this reason, the power supply units to be connected in parallel are dimensioned in such a way that the total current requirement of all consumers can be completely covered by one power supply unit. 100% redundancy makes external decoupling diodes necessary (QUINT-DIODE/40, Order No. 2938963)!



Increased performance

For n parallel connected devices, the output current can be increased to $n \times I_N$. Parallel connection for increasing power is used when extending existing systems. A parallel connection is recommended if the power supply unit does not cover the current consumption of the most powerful load. Otherwise, the load should be divided between individual devices that are independent from one another.