

## ADMIRAL AD 2B

Order Code: 1330600

Access Control Safety Light Grid with Automatic Restart



**Safety level**

Type 4 - PL e

**Protected height (mm)**

**Resolution (mm)**

Multi-beams

**Max. range (m)**

18

**Restart**

Automatic

**Functioning system**

Emitter / Receiver

## Technical Description

Safety Light Curtain: Type 4, SILCL 3, PL e, Cat. 4

Cross Section: 35 x 45 mm

Hardware configuration: no programming necessary, easy to install and replace

Connection and configuration through M12 connectors

Unshielded cables up to 100 m can be used to connect the Safety Light Curtain

What's in the Box: Emitter, Receiver and Standard Fastening Brackets

## Features

|  |   |
|--|---|
| Safety level                             | Type 4 - PL e   |
| Protected height (mm)                    |   |
| Resolution (mm)                          | Multi-beams   |
| Max. range (m)                           | 18  |
| Restart                                  | Automatic   |
| Functioning system                       | Emitter / Receiver  |
| Safety level (SIL / PL)                  | Type 4 - SILCL 3 - PL e - Cat. 4  |
| Operating temperature (°C)               | 0 ... 55  |
| Response time (ms)                       | 6   |
| Number of beams                          | 2   |
| Max. length of the connection cables (m) |   |
| Signalling                               | 7 segment display and LEDs for light curtain's status and diagnostics                                   |
| Safety output type                       | 2 fail-safe PNP (500 mA at 24 VDC) with protection against short circuit, overload and reverse polarity |
| Connections                              | M12 5-pole connectors   |
| MTTFD (ISO13849) years                   | 100   |
| PFHD (IEC 61508)                         | 8,97E-09  |
| Safety outputs                           | 2 OSSD PNP (500 mA at 24 VDC)   |
| Safety functions                         | With external module  |
| Detection                                | Access control  |
| Protective enclosures                    | None  |

## ADMIRAL AD 2B

Packaging dimensions HxLxW (mm) 145 x 750 x 200

Product class C

Custom tariff 85365019

## Electrical data

Power supply (VDC) 24 ± 20%

## Mechanical data

Overall height (mm) 711

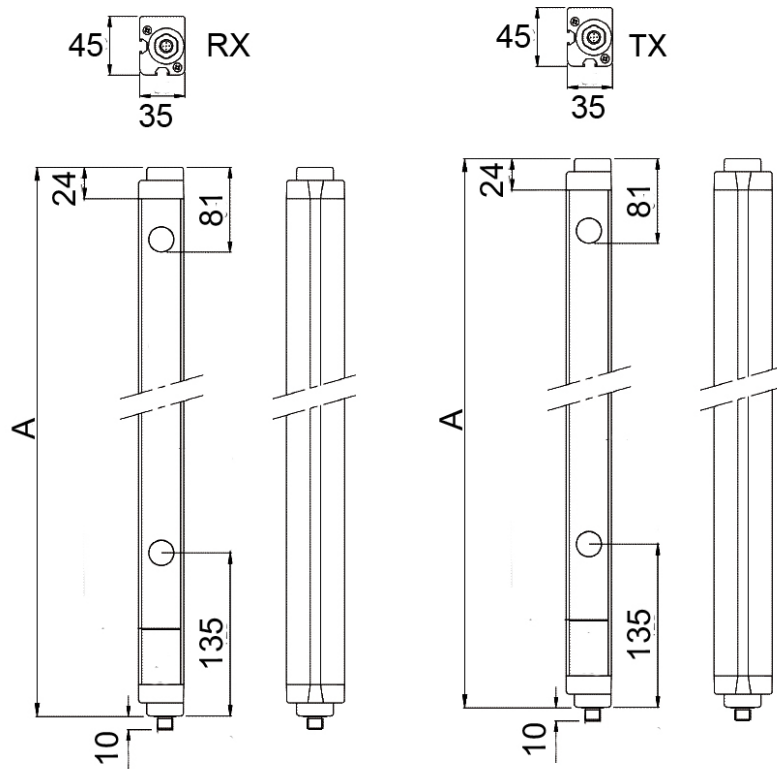
Cross section dimensions (mm) 35 x 45

Degree of protection IP65

Fastening Back slot, side slot with set of LS type brackets (included) or to the top and lower end with SFB swivel brackets (optional)

Gross weight (g) 3350

Technical drawings



**Certificates**

