

ADMIRAL AD 4B

Order Code: 1330602

Access Control Safety Light Grid with Automatic Restart



Safety level

Type 4 - PL e

Protected height (mm)

900

Resolution (mm)

Multi-beams

Max. range (m)

18

Restart

Automatic

Functioning system

Emitter / Receiver

Technical Description

Safety Light Curtain: Type 4, SILCL 3, PL e, Cat. 4

Cross Section: 35 x 45 mm

Hardware configuration: no programming necessary, easy to install and replace

Connection and configuration through M12 connectors

Unshielded cables up to 100 m can be used to connect the Safety Light Curtain

What's in the Box: Emitter, Receiver and Standard Fastening Brackets

Features

Safety level	Type 4 - PL e
Protected height (mm)	900
Resolution (mm)	Multi-beams
Max. range (m)	18
Restart	Automatic
Functioning system	Emitter / Receiver
Safety level (SIL / PL)	Type 4 - SILCL 3 - PL e - Cat. 4
Operating temperature (°C)	0 ... 55
Response time (ms)	6
Number of beams	4
Max. length of the connection cables (m)	50
Signalling	7 segment display and LEDs for light curtain's status and diagnostics
Safety output type	2 fail-safe PNP (500 mA at 24 VDC) with protection against short circuit, overload and reverse polarity
Connections	M12 5-pole connectors
MTTFD (ISO13849) years	100
PFHD (IEC 61508)	9,32E-09
Safety outputs	2 OSSD PNP (500 mA at 24 VDC)
Safety functions	With external module
Detection	Access control
Protective enclosures	None

ADMIRAL AD 4B

Packaging dimensions HxLxW (mm)	145 x 1180 x 200
------------------------------------	------------------

Product class	C
---------------	---

Custom tariff	85365019
---------------	----------

Electrical data

Power supply (VDC)	24 ± 20%
--------------------	----------

Mechanical data

Overall height (mm)	1111
---------------------	------

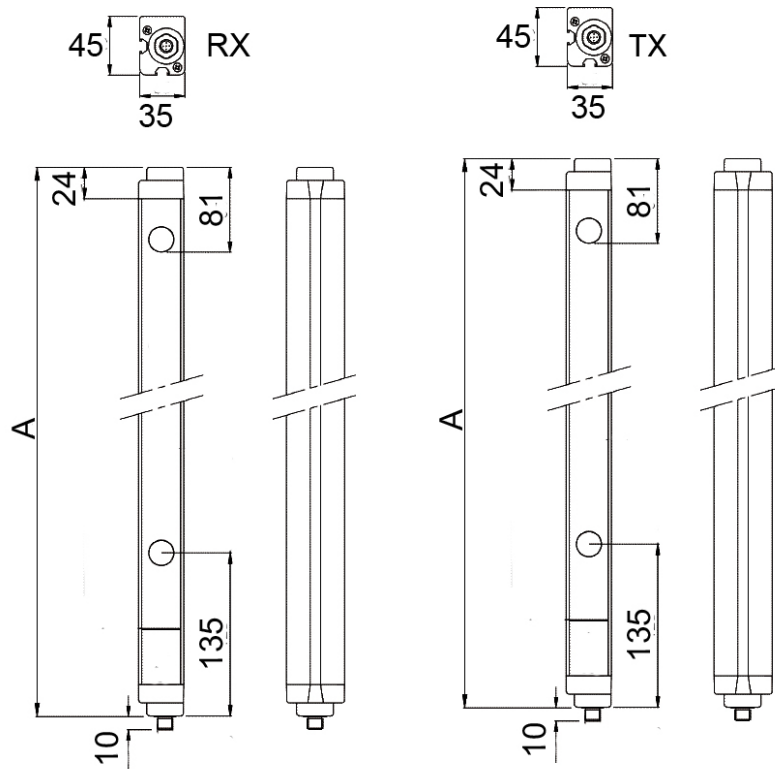
Cross section dimensions (mm)	35 x 45
-------------------------------	---------

Degree of protection	IP65
----------------------	------

Fastening	Back slot, side slot with set of LS type brackets (included) or to the top and lower end with SFB swivel brackets (optional)
-----------	------------------------------------------------------------------------------------------------------------------------------

Gross weight (g)	5150
------------------	------

Technical drawings



Certificates

