

## **ADMIRAL AX 2B LR DB WTH UV**

Order Code: 1139611

Access Control Safety Light Curtain with Heated Watertight Enclosure. Automatic/Manual Restart and EDM. Long Range with Dual-Beam Technology. IP67, salt+UV resistant. Prewired with 10 m Lead Cable



**Safety level**

Type 4 - PL e

**Protected height (mm)**

500

**Resolution (mm)**

Multi-beams

**Max. range (m)**

50

**Restart**

Built-in - User selectable automatic or manual

**Functioning system**

Emitter / Receiver

### **Technical Description**

Type 4, SILCL 3, PL e, Cat. 4

Watertight enclosures allow Safety Light Curtains to be used in harsh working environments and outdoor

Salt and UV resistant

Integrated anti-condensation system

Hardware configuration: no programming necessary, easy to install and replace

What's in the Box: Emitter, Receiver, Standard Fastening Brackets, Pre-Wired Connection Cable

## Features

Safety level	Type 4 - PL e
Protected height (mm)	500
Resolution (mm)	Multi-beams
Max. range (m)	50
Restart	Built-in - User selectable automatic or manual
Functioning system	Emitter / Receiver
Safety level (SIL / PL)	Type 4 - SILCL 3 - PL e - Cat. 4
Operating temperature (°C)	- 25 ... 50
Response time (ms)	6
Number of beams	2 (couples)
Max. length of the connection cables (m)	100
Signalling	7 segment display and LEDs for light curtain's status and diagnostics
Safety output type	2 fail-safe PNP (500 mA at 24 VDC) with protection against short circuit, overload and reverse polarity
MTTFD (ISO13849) years	100
Light curtain technical data	Refer to AX LR DB models table
Safety outputs	2 OSSD PNP (500 mA at 24 VDC)
Safety functions	Integrated
Special versions	Heated, Watertight enclosure
Detection	Access control
Operating Range (m)	20 or 50 selectable

## ADMIRAL AX 2B LR DB WTH UV

Protective enclosures Harsh working, saline environments

Packaging dimensions HxLxW 145 x 1430 x 200

(mm)

Product class C

Custom tariff 85365019

## Electrical data

Power supply (VDC)  $24 \pm 20\%$

## Mechanical data

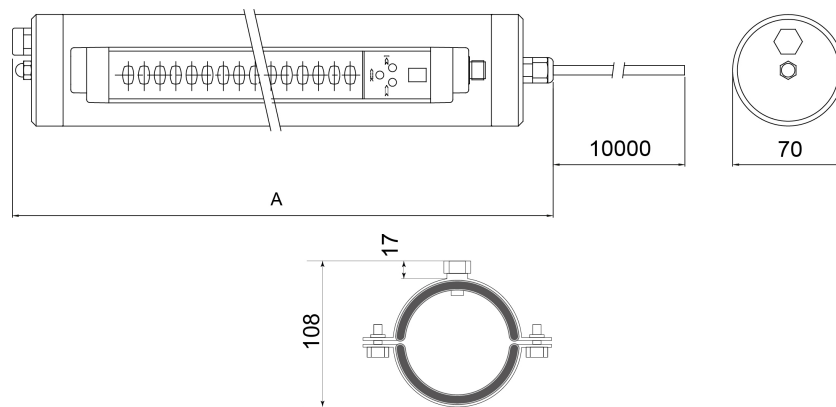
Overall height (mm) 902

Degree of protection IP67

Fastening Set of 4 WFB ring brackets (included)

Max. water pressure (bar) 40

Technical drawings



**Certificates**

