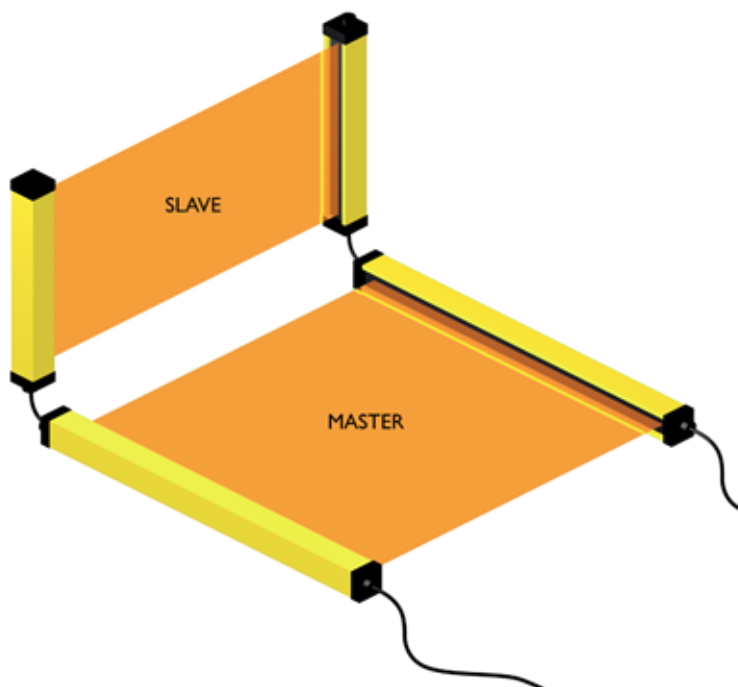


ADMIRAL AX 2B S

Order Code: 1334640

Access Control Safety Light Grid for Cascading Connection with Automatic/Manual Restart and EDM (Slave)



Safety level

Type 4 - PL e

Protected height (mm)

500

Resolution (mm)

Multi-beams

Max. range (m)

18

Restart

Built-in - User selectable automatic or manual

Functioning system

Emitter / Receiver

Master Slave Models

yes

Technical Description

Safety Light Curtain: Type 4, SILCL 3, PL e, Cat. 4

Cross Section: 35 x 45 mm

Hardware configuration: no programming necessary, easy to install and replace

Connection and configuration through M12 connectors

Unshielded cables up to 100 m can be used to connect the Safety Light Curtain

What's in the Box: Emitter, Receiver and Standard Fastening Brackets

Features

| | |
|---|---|
| Safety level | Type 4 - PL e |
| Protected height (mm) | 500 |
| Resolution (mm) | Multi-beams |
| Max. range (m) | 18 |
| Restart | Built-in - User selectable automatic or manual |
| Functioning system | Emitter / Receiver |
| Master Slave Models | yes |
| Safety level (SIL / PL) | Type 4 - SILCL 3 - PL e - Cat. 4 |
| Operating temperature (°C) | 0 ... 55 |
| Response time (ms) | 6 |
| Number of beams | 2 |
| Max. length of the connection cables (m) | 50 |
| Signalling | 7 segment display and LEDs for light curtain's status and diagnostics |
| Safety output type | 2 fail-safe PNP (500 mA at 24 VDC) with protection against short circuit, overload and reverse polarity |
| Connections | M12 5-pole connectors |
| MTTFD (ISO13849) years | 100 |
| PFHD (IEC 61508) | 8,97E-09 |
| Safety outputs | 2 OSSD PNP (500 mA at 24 VDC) |
| Safety functions | Integrated |
| Detection | Access control |

| | |
|------------------------------------|-----------------|
| Protective enclosures | None |
| Packaging dimensions HxLxW (mm) | 145 x 750 x 200 |

| | |
|---------------|----------|
| Product class | C |
| Custom tariff | 85365019 |

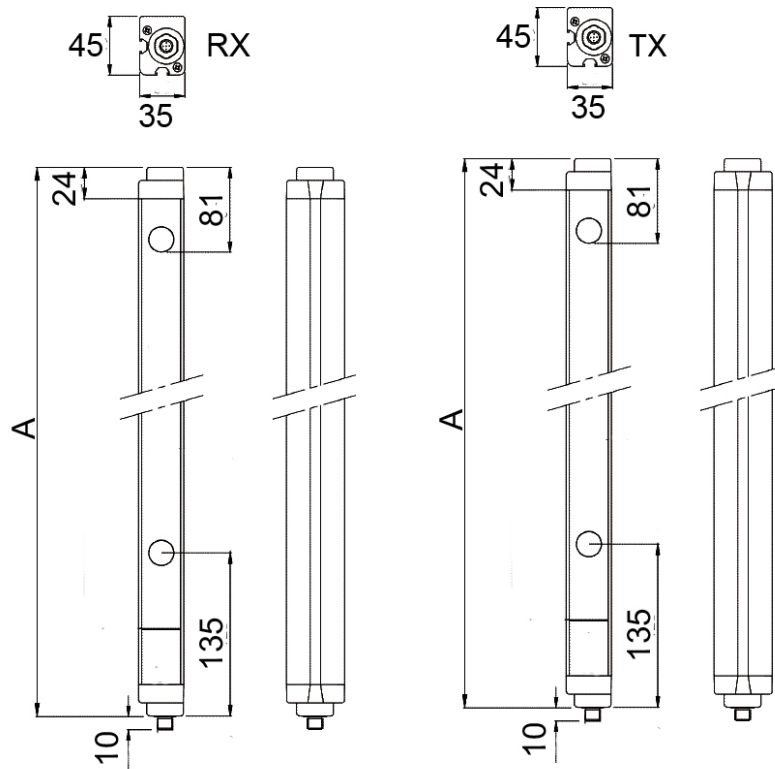
Electrical data

| | |
|--------------------|----------|
| Power supply (VDC) | 24 ± 20% |
|--------------------|----------|

Mechanical data

| | |
|-------------------------------|--|
| Overall height (mm) | 711 |
| Cross section dimensions (mm) | 35 x 45 |
| Degree of protection | IP65 |
| Fastening | Back slot, side slot with set of LS type brackets (included) or to the top and lower end with SFB swivel brackets (optional) |
| Gross weight (g) | 3382,06 |

Technical drawings



Certificates

