

## ADMIRAL AX 4B LR DB

Order Code: 1334608

Access Control Safety Light Grid with Automatic/Manual Restart and EDM, Long Range, Dual-Beam Technology



**Safety level**

Type 4 - PL e

**Protected height (mm)**

900

**Resolution (mm)**

Multi-beams

**Max. range (m)**

80

**Restart**

Built-in - User selectable automatic or manual

**Functioning system**

Emitter / Receiver

## Technical Description

Safety Light Curtain: Type 4, SILCL 3, PL e, Cat. 4

Cross Section: 35 x 45 mm

Hardware configuration: no programming necessary, easy to install and replace

Connection and configuration through M12 connectors

Unshielded cables up to 100 m can be used to connect the Safety Light Curtain

What's in the Box: Emitter, Receiver and Standard Fastening Brackets

## Features

Safety level	Type 4 - PL e
Protected height (mm)	900
Resolution (mm)	Multi-beams
Max. range (m)	80
Restart	Built-in - User selectable automatic or manual
Functioning system	Emitter / Receiver
Safety level (SIL / PL)	Type 4 - SILCL 3 - PL e - Cat. 4
Operating temperature (°C)	0 ... 55
Response time (ms)	6
Number of beams	4 (couples)
Max. length of the connection cables (m)	100
Signalling	7 segment display and LEDs for light curtain's status and diagnostics
Safety output type	2 fail-safe PNP (500 mA at 24 VDC) with protection against short circuit, overload and reverse polarity
Connections	M12 5-pole connector (emitter), M12 8-pole connector (receiver)
MTTFD (ISO13849) years	100
PFHD (IEC 61508)	9,32E-09
Safety outputs	2 OSSD PNP (500 mA at 24 VDC)
Safety functions	Integrated
Detection	Access control

Protective enclosures	None
Packaging dimensions HxLxW (mm)	145 x 1240 x 200
Product class	C
Custom tariff	85365019

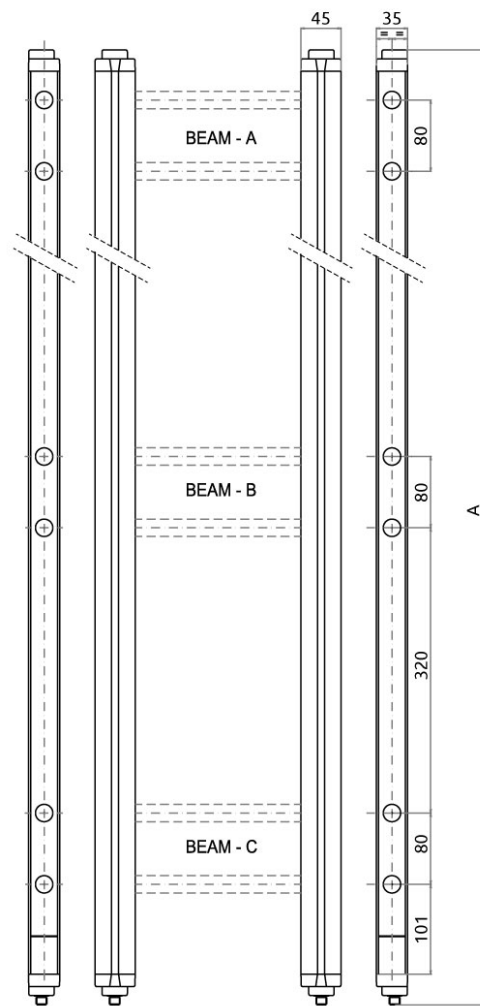
## Electrical data

Power supply (VDC)	24 ± 20%
--------------------	----------

## Mechanical data

Overall height (mm)	1172
Cross section dimensions (mm)	35 x 45
Degree of protection	IP65
Fastening	Back slot, side slot with set of LS type brackets (included) or to the top and lower end with SFB swivel brackets (optional)
Gross weight (g)	5450

Technical drawings



**Certificates**

