

EOS2 1504 XS2

Order Code: 1320349

Hand Detection Safety Light Curtain for Cascading Connection with Automatic/Manual Restart and EDM (Secondary Slave)



Safety level

Type 2 - PL c

Protected height (mm)

1510

Resolution (mm)

40

Max. range (m)

12

Restart

Built-in - User selectable automatic or manual

Functioning system

Emitter / Receiver

Master Slave Models

yes

Technical Description

Compact Safety Light Curtain: Type 2, SIL 1, SILCL 1, PL c, Cat. 2

Cross Section: 28 x 30 mm

No blind area on one side

Hardware configuration: no programming necessary, easy to install and replace

Connection and configuration through M12 connectors

Unshielded cables up to 100 m can be used to connect the Safety Light Curtain

What's in the Box: Emitter, Receiver and Standard Fastening Brackets

Features

| | |
|--|---|
| Safety level | Type 2 - PL c |
| Protected height (mm) | 1510 |
| Resolution (mm) | 40 |
| Controlled height (mm) | 1500 |
| Max. range (m) | 12 |
| Restart | Built-in - User selectable automatic or manual |
| Functioning system | Emitter / Receiver |
| Master Slave Models | yes |
| Safety level (SIL / PL) | Type 2 - SIL 1 - SILCL 1 - PL c - Cat. 2 |
| Operating temperature (°C) | - 30 ... 55 |
| Response time (ms) | See technical manual |
| Number of beams | 51 |
| Max. length of the connection cables (m) | 100 (50 between Master and Slave) |
| Signalling | LEDs for light curtain's status and diagnostics |
| Safety output type | 2 fail-safe PNP (400 mA at 24 VDC) with protection against short circuit, overload and reverse polarity |
| Connections | M12 5-pole connectors |
| MTTFD (ISO13849) years | 182,2 |
| PFHD (IEC 61508) | 5,96E-08 |
| Safety outputs | 2 OSSD PNP (400 mA at 24 VDC) |
| Safety functions | Integrated |
| Detection | Hand |

| | |
|------------------------------------|------------------|
| Protective enclosures | None |
| Packaging dimensions HxLxW (mm) | 145 x 1630 x 200 |
| Product class | C |
| Custom tariff | 85365019 |

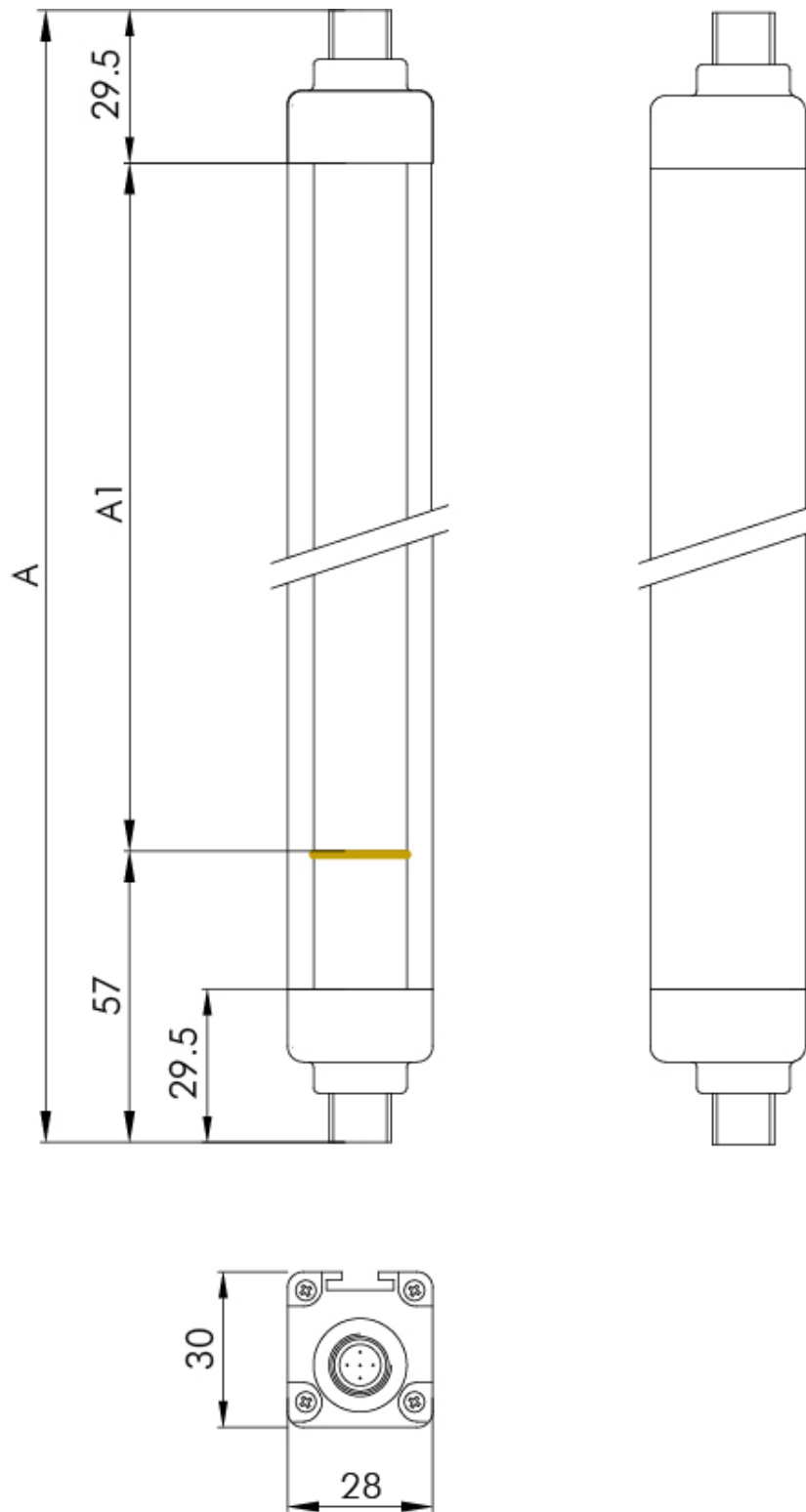
Electrical data

| | |
|--------------------|----------|
| Power supply (VDC) | 24 ± 20% |
|--------------------|----------|

Mechanical data

| | |
|-------------------------------|---|
| Overall height (mm) | 1586,5 |
| Cross section dimensions (mm) | 28 x 30 |
| Degree of protection | IP65 - IP67 |
| Fastening | Back slot with set of LE type brackets (included) or to the top and lower end with swivel brackets SFB E (optional) |
| Gross weight (g) | 4878,86 |

Technical drawings



Certificates

