

EOS2 1653 X WTF

Order Code: 1120050

Hand Detection Safety Light Curtain with Watertight Enclosure. IP69K/Ecolab Certified. Automatic/Manual Restart and EDM. Prewired with 10 m Lead Cable



Safety level

Type 2 - PL c

Protected height (mm)

1660

Resolution (mm)

30

Max. range (m)

10

Restart

Built-in - User selectable automatic or manual

Functioning system

Emitter / Receiver

Technical Description

Type 2, SIL 1, SILCL 1, PL c, Cat. 2

Watertight enclosures allow Safety Light Curtains to be used in harsh working environments with exposure to water jets and steam

The use of inert and non-toxic components allow WTF and WTHF enclosures to be used in the Food & Beverage industry, where frequent wash down procedures are required

Integrated anti-condensation system

Hardware configuration: no programming necessary, easy to install and replace

What's in the Box: Emitter, Receiver, Standard Fastening Brackets, Pre-Wired Connection Cable

EOS2 1653 X WTF

Features

Safety level	Type 2 - PL c
Protected height (mm)	1660
Resolution (mm)	30
Controlled height (mm)	1650
Max. range (m)	10
Restart	Built-in - User selectable automatic or manual
Functioning system	Emitter / Receiver
Safety level (SIL / PL)	Type 2 - SIL 1 - SILCL 1 - PL c - Cat. 2
Operating temperature (°C)	0 ... 55
Response time (ms)	21
Number of beams	83
Max. length of the connection cables (m)	100
Signalling	LEDs for light curtain's status and diagnostics
Safety output type	2 fail-safe PNP (400 mA at 24 VDC) with protection against short circuit, overload and reverse polarity
Connections	Cable output
MTTFD (ISO13849) years	100
PFHD (IEC 61508)	8,35E-08
Materials suitable for food applications	Yes
Safety outputs	2 OSSD PNP (400 mA at 24 VDC)
Safety functions	Integrated

Special versions Food and beverage, Watertight enclosure

Detection Hand

Protective enclosures Food industry IP69K

Packaging dimensions HxLxW 145 x 1960 x 200

(mm)

Product class C

Custom tariff 85365019

Electrical data

Power supply (VDC) 24 ± 20%

Mechanical data

Overall height (mm) 1837

Degree of protection IP69K

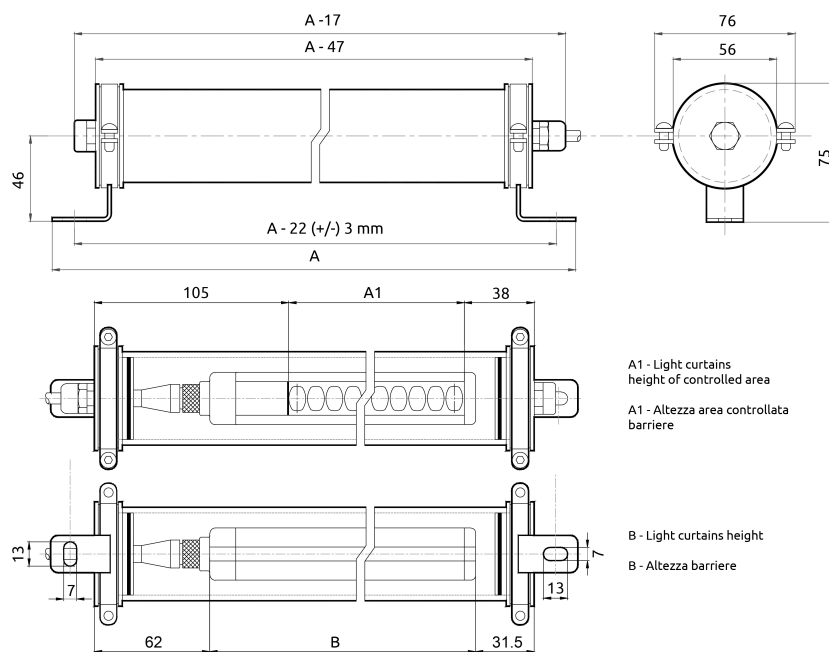
Fastening Set of 4 ring brackets (included)

Diameter (mm) 56

Max. water pressure (bar) 80 . . . 100

Gross weight (g) 8644,2

Technical drawings



Certificates

