

## EOS2 1955 XM

Order Code: 1320781

Body Detection Safety Light Curtain for Cascading Connection with Automatic/Manual Restart and EDM (Master)



**Safety level**

Type 2 - PL c

**Protected height (mm)**

1960

**Resolution (mm)**

50

**Max. range (m)**

12

**Restart**

Built-in - User selectable automatic or manual

**Functioning system**

Emitter / Receiver

**Master Slave Models**

yes

## Technical Description

Compact Safety Light Curtain: Type 2, SIL 1, SILCL 1, PL c, Cat. 2

Cross Section: 28 x 30 mm

No blind area on one side

Hardware configuration: no programming necessary, easy to install and replace

Connection and configuration through M12 connectors

Unshielded cables up to 100 m can be used to connect the Safety Light Curtain

What's in the Box: Emitter, Receiver and Standard Fastening Brackets

## Features

|  |   |
|--|---|
| Safety level                             | Type 2 - PL c   |
| Protected height (mm)                    | 1960  |
| Resolution (mm)                          | 50  |
| Controlled height (mm)                   | 1950  |
| Max. range (m)                           | 12  |
| Restart                                  | Built-in - User selectable automatic or manual  |
| Functioning system                       | Emitter / Receiver  |
| Master Slave Models                      | yes   |
| Safety level (SIL / PL)                  | Type 2 - SIL 1 - SILCL 1 - PL c - Cat. 2  |
| Operating temperature (°C)               | - 30 ... 55   |
| Response time (ms)                       | See technical manual  |
| Number of beams                          | 52  |
| Max. length of the connection cables (m) | 100 (50 between Master and Slave)   |
| Signalling                               | LEDs for light curtain's status and diagnostics   |
| Safety output type                       | 2 fail-safe PNP (400 mA at 24 VDC) with protection against short circuit, overload and reverse polarity |
| Connections                              | M12 5-pole connector (emitter), M12 8-pole connector (receiver)   |
| MTTFD (ISO13849) years                   | 178,7   |
| PFHD (IEC 61508)                         | 6,08E-08  |
| Safety outputs                           | 2 OSSD PNP (400 mA at 24 VDC)   |
| Safety functions                         | Integrated  |

|                                    |           |
|------------------------------------|-----------|
| Detection                          | Body      |
| Protective enclosures              | None      |
| Packaging dimensions HxLxW<br>(mm) | 0 x 0 x 0 |
| Product class                      | C         |
| Custom tariff                      | 85365019  |

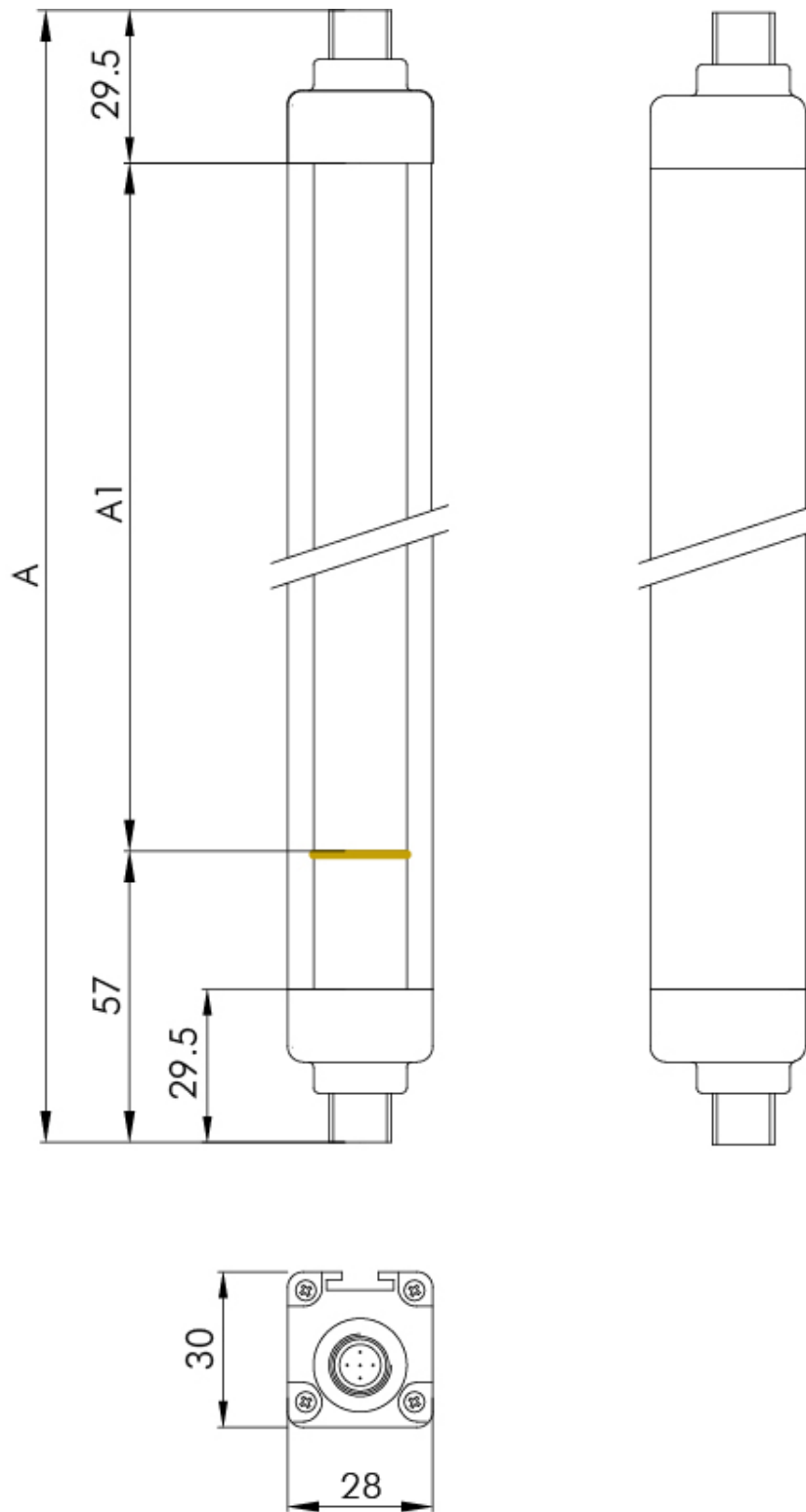
## Electrical data

|                    |          |
|--------------------|----------|
| Power supply (VDC) | 24 ± 20% |
|--------------------|----------|

## Mechanical data

|                               |   |
|-------------------------------|---|
| Overall height (mm)           | 2036  |
| Cross section dimensions (mm) | 28 x 30   |
| Degree of protection          | IP65 - IP67   |
| Fastening                     | Back slot with set of LE type brackets (included) or to the top and lower end with swivel brackets SFB E (optional) |

Technical drawings



**Certificates**

