

## EOS2 753 X WTHF

Order Code: 1120244

Hand Detection Safety Light Curtain with Heated Watertight Enclosure. IP69K/Ecolab Certified. Automatic/Manual Restart and EDM. Prewired with 10 m Lead Cable



### Safety level

Type 2 - PL c

### Protected height (mm)

760

### Resolution (mm)

30

### Max. range (m)

10

### Restart

Built-in - User selectable automatic or manual

### Functioning system

Emitter / Receiver

## Technical Description

Type 2, SIL 1, SILCL 1, PL c, Cat. 2

Watertight enclosures allow Safety Light Curtains to be used in harsh working environments with exposure to water jets and steam

The use of inert and non-toxic components allow WTF and WTHF enclosures to be used in the Food & Beverage industry, where frequent wash down procedures are required

Integrated anti-condensation system

Hardware configuration: no programming necessary, easy to install and replace

What's in the Box: Emitter, Receiver, Standard Fastening Brackets, Pre-Wired Connection Cable

**EOS2 753 X WTHF**

## Features

|   |   |
|---|---|
| Safety level                                | Type 2 - PL c   |
| Protected height (mm)                       | 760   |
| Resolution (mm)                             | 30  |
| Controlled height (mm)                      | 750   |
| Max. range (m)                              | 10  |
| Restart                                     | Built-in - User selectable automatic or manual  |
| Functioning system                          | Emitter / Receiver  |
| Safety level (SIL / PL)                     | Type 2 - SIL 1 - SILCL 1 - PL c - Cat. 2  |
| Operating temperature (°C)                  | - 25 ... 50   |
| Response time (ms)                          | 11  |
| Number of beams                             | 38  |
| Max. length of the connection<br>cables (m) | 100   |
| Signalling                                  | LEDs for light curtain's status and diagnostics   |
| Safety output type                          | 2 fail-safe PNP (400 mA at 24 VDC) with protection against short circuit, overload and reverse polarity |
| Connections                                 | Cable output  |
| MTTFD (ISO13849) years                      | 100   |
| PFHD (IEC 61508)                            | 4,57E-08  |
| Materials suitable for food<br>applications | Yes   |
| Light curtain technical data                | Refer to EOS2 X models table  |
| Safety outputs                              | 2 OSSD PNP (400 mA at 24 VDC)   |

## EOS2 753 X WTHF

|                                    |   |
|------------------------------------|---|
| Safety functions                   | Integrated                                      |
| Special versions                   | Food and beverage, Heated, Watertight enclosure |
| Detection                          | Hand  |
| Protective enclosures              | Food industry IP69K                             |
| Packaging dimensions HxLxW<br>(mm) | 0 x 0 x 0                                       |
| Product class                      | C   |
| Custom tariff                      | 85365019  |

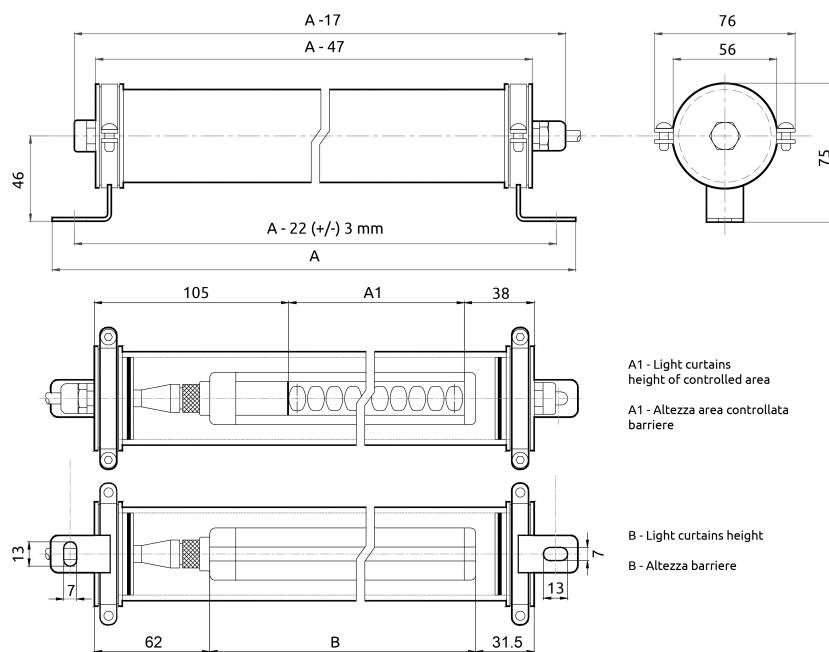
## Electrical data

|                    |          |
|--------------------|----------|
| Power supply (VDC) | 24 ± 20% |
|--------------------|----------|

## Mechanical data

|                           |                                   |
|---------------------------|-----------------------------------|
| Overall height (mm)       | 937                               |
| Degree of protection      | IP69K                             |
| Fastening                 | Set of 4 ring brackets (included) |
| Diameter (mm)             | 56                                |
| Max. water pressure (bar) | 80 . . . 100                      |

Technical drawings



**Certificates**

