

EOS4 1503 XH WTF

Order Code: 1110289

Hand Detection Safety Light Curtain with Watertight Enclosure. IP69K/Ecolab Certified. Automatic/Manual Restart and EDM. Extended Range. Prewired with 10 m Lead Cable



Safety level

Type 4 - PL e

Protected height (mm)

1510

Resolution (mm)

30

Max. range (m)

17

Restart

Built-in - User selectable automatic or manual

Functioning system

Emitter / Receiver

Technical Description

Type 4, SIL 3, SILCL 3, PL e, Cat. 4

Watertight enclosures allow Safety Light Curtains to be used in harsh working environments with exposure to water jets and steam

The use of inert and non-toxic components allow WTF and WTHF enclosures to be used in the Food & Beverage industry, where frequent wash down procedures are required

Integrated anti-condensation system

Hardware configuration: no programming necessary, easy to install and replace

What's in the Box: Emitter, Receiver, Standard Fastening Brackets, Pre-Wired Connection Cable

EOS4 1503 XH WTF

Features

| | |
|---|---|
| Safety level | Type 4 - PL e |
| Protected height (mm) | 1510 |
| Resolution (mm) | 30 |
| Controlled height (mm) | 1500 |
| Max. range (m) | 17 |
| Restart | Built-in - User selectable automatic or manual |
| Functioning system | Emitter / Receiver |
| Safety level (SIL / PL) | Type 4 - SIL 3 - SILCL 3 - PL e - Cat. 4 |
| Operating temperature (°C) | 0 ... 55 |
| Response time (ms) | 11 |
| Number of beams | 76 |
| Max. length of the connection cables (m) | 100 |
| Signalling | LEDs for light curtain's status and diagnostics |
| Safety output type | 2 fail-safe PNP (400 mA at 24 VDC) with protection against short circuit, overload and reverse polarity |
| Connections | Cable output |
| MTTFD (ISO13849) years | 100 |
| PFHD (IEC 61508) | 2,03E-08 |
| Materials suitable for food applications | Yes |
| Light curtain technical data | Refer to EOS4 XH models table |
| Safety outputs | 2 OSSD PNP (400 mA at 24 VDC) |

EOS4 1503 XH WTF

| | |
|------------------------------------|---|
| Safety functions | Integrated |
| Special versions | Food and beverage, Watertight enclosure |
| Detection | Hand |
| Protective enclosures | Food industry IP69K |
| Packaging dimensions HxLxW (mm) | 145 x 1810 x 200 |
| Product class | C |
| Custom tariff | 85365019 |

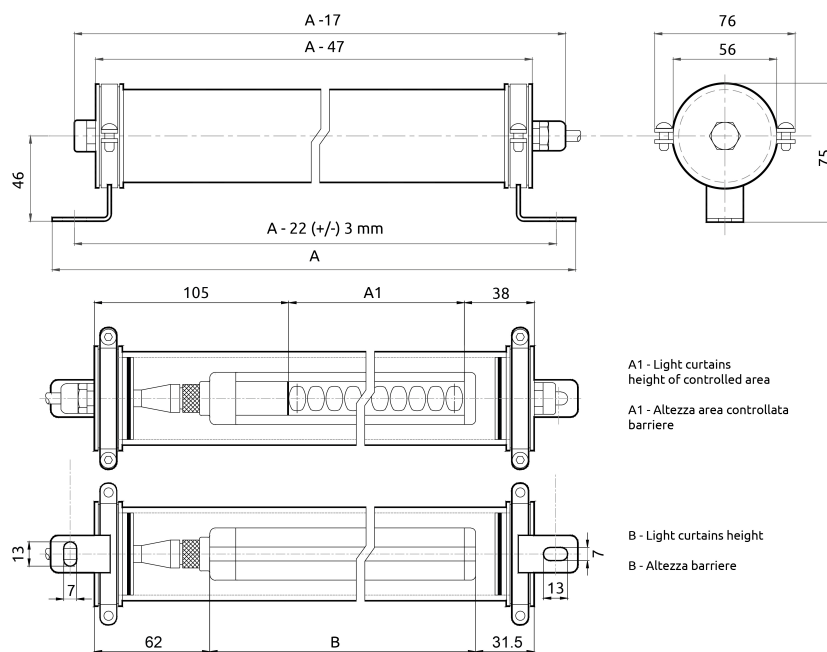
Electrical data

| | |
|--------------------|----------|
| Power supply (VDC) | 24 ± 20% |
|--------------------|----------|

Mechanical data

| | |
|---------------------------|-----------------------------------|
| Overall height (mm) | 1687 |
| Degree of protection | IP69K |
| Fastening | Set of 4 ring brackets (included) |
| Diameter (mm) | 56 |
| Max. water pressure (bar) | 80 . . . 100 |
| Gross weight (g) | 7983,7 |

Technical drawings



Certificates

