

## EOS4 1651 X WTHF

Order Code: 1110055

Finger Detection Safety Light Curtain with Heated Watertight Enclosure. IP69K/Ecolab Certified. Automatic/Manual Restart and EDM. Prewired with 10 m Lead Cable



### Safety level

Type 4 - PL e

### Protected height (mm)

1660

### Resolution (mm)

14

### Max. range (m)

5

### Restart

Built-in - User selectable automatic or manual

### Functioning system

Emitter / Receiver

## Technical Description

Type 4, SIL 3, SILCL 3, PL e, Cat. 4

Watertight enclosures allow Safety Light Curtains to be used in harsh working environments with exposure to water jets and steam

The use of inert and non-toxic components allow WTF and WTHF enclosures to be used in the Food & Beverage industry, where frequent wash down procedures are required

Integrated anti-condensation system

Hardware configuration: no programming necessary, easy to install and replace

What's in the Box: Emitter, Receiver, Standard Fastening Brackets, Pre-Wired Connection Cable

**EOS4 1651 X WTHF**

## Features

Safety level	Type 4 - PL e
Protected height (mm)	1660
Resolution (mm)	14
Max. range (m)	5
Restart	Built-in - User selectable automatic or manual
Functioning system	Emitter / Receiver
Safety level (SIL / PL)	Type 4 - SIL 3 - SILCL 3 - PL e - Cat. 4
Operating temperature (°C)	- 25 ... 50
Response time (ms)	4
Number of beams	165
Max. length of the connection cables (m)	100
Signalling	LEDs for light curtain's status and diagnostics
Safety output type	2 fail-safe PNP (400 mA at 24 VDC) with protection against short circuit, overload and reverse polarity
MTTFD (ISO13849) years	100
PFHD (IEC 61508)	3,48E-08
Materials suitable for food applications	Yes
Safety outputs	2 OSSD PNP (400 mA at 24 VDC)
Safety functions	Integrated
Special versions	Food and beverage, Heated, Watertight enclosure
Detection	Finger

Protective enclosures Food industry IP69K

Packaging dimensions HxLxW 0 x 0 x 0

(mm)

Product class C

Custom tariff 85365019

## Electrical data

Power supply (VDC) 24 ± 20%

## Mechanical data

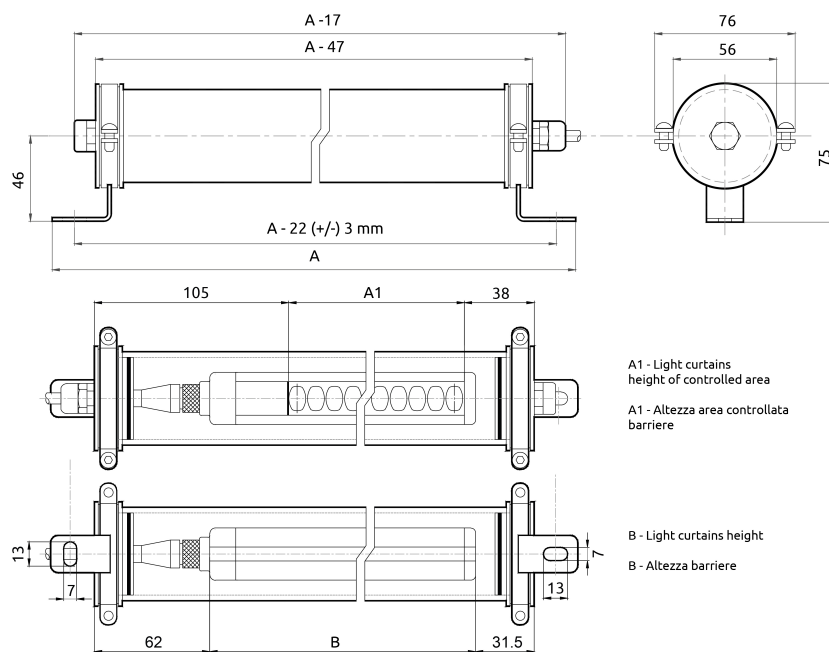
Overall height (mm) 1837

Degree of protection IP69K

Fastening Set of 4 ring brackets (included)

Max. water pressure (bar) 80 . . . 100

Technical drawings



**Certificates**

