

## **EOS4 2B XH WTHF**

Order Code: 1110675

Access Control Safety Light Curtain with Heated Watertight Enclosure. IP69K/Ecolab Certified. Automatic/Manual Restart and EDM. Extended Range. Prewired with 10 m Lead Cable



**Safety level**

Type 4 - PL e

**Protected height (mm)**

510

**Resolution (mm)**

Multi-beams

**Max. range (m)**

17

**Restart**

Built-in - User selectable automatic or manual

**Functioning system**

Emitter / Receiver

## **Technical Description**

Type 4, SIL 3, SILCL 3, PL e, Cat. 4

Watertight enclosures allow Safety Light Curtains to be used in harsh working environments with exposure to water jets and steam

The use of inert and non-toxic components allow WTF and WTHF enclosures to be used in the Food & Beverage industry, where frequent wash down procedures are required

Integrated anti-condensation system

Hardware configuration: no programming necessary, easy to install and replace

What's in the Box: Emitter, Receiver, Standard Fastening Brackets, Pre-Wired Connection Cable

**EOS4 2B XH WTHF**

## Features

|  |   |
|--|---|
| Safety level                             | Type 4 - PL e   |
| Protected height (mm)                    | 510   |
| Resolution (mm)                          | Multi-beams   |
| Max. range (m)                           | 17  |
| Restart                                  | Built-in - User selectable automatic or manual  |
| Functioning system                       | Emitter / Receiver  |
| Safety level (SIL / PL)                  | Type 4 - SIL 3 - SILCL 3 - PL e - Cat. 4  |
| Operating temperature (°C)               | - 25 ... 50   |
| Response time (ms)                       | 2,5   |
| Number of beams                          | 2   |
| Max. length of the connection cables (m) | 100   |
| Signalling                               | LEDs for light curtain's status and diagnostics   |
| Safety output type                       | 2 fail-safe PNP (400 mA at 24 VDC) with protection against short circuit, overload and reverse polarity |
| MTTFD (ISO13849) years                   | 100   |
| PFHD (IEC 61508)                         | 9,15E-09  |
| Materials suitable for food applications | Yes   |
| Light curtain technical data             | Refer to EOS4 XH models table   |
| Safety outputs                           | 2 OSSD PNP (400 mA at 24 VDC)   |
| Safety functions                         | Integrated  |
| Special versions                         | Food and beverage, Heated, Watertight enclosure   |

## EOS4 2B XH WTHF

|                                    |                     |
|------------------------------------|---------------------|
| Detection                          | Access control      |
| Protective enclosures              | Food industry IP69K |
| Packaging dimensions HxLxW<br>(mm) | 145 x 900 x 200     |
| Product class                      | C                   |
| Custom tariff                      | 85365019            |

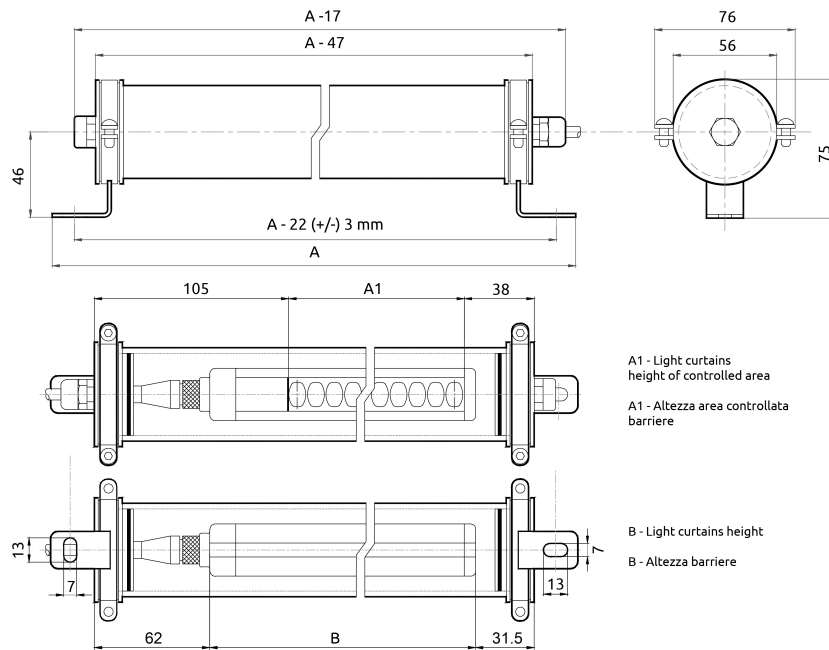
## Electrical data

|                    |          |
|--------------------|----------|
| Power supply (VDC) | 24 ± 20% |
|--------------------|----------|

## Mechanical data

|                           |                                   |
|---------------------------|-----------------------------------|
| Overall height (mm)       | 777                               |
| Degree of protection      | IP69K                             |
| Fastening                 | Set of 4 ring brackets (included) |
| Max. water pressure (bar) | 80 . . . 100                      |
| Gross weight (g)          | 4822,89                           |

Technical drawings



**Certificates**

